



Selection: Semi-hermetic Reciprocating Compressors

Input Values

Compressor model Mode	(6H-35.2Y) Refrigeration and Air conditioning	Suction gas temperature Operating mode	20,00 °C Auto
Refrigerant	R404A	Power supply	400V-3-50Hz
Reference temperature	Dew point temp.	Capacity control	100%
Liq. subc. (in condenser)	0 K	Useful superheat	100%

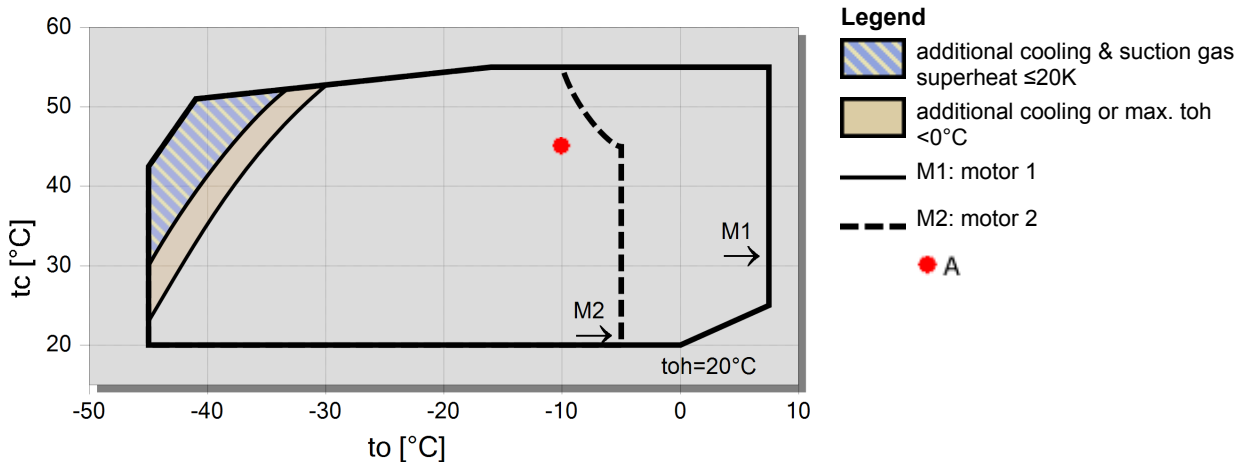
Result

Q [W]	Cooling capacity	COP [-]	COP/EER
Qu* [W]	Evaporator capacity	m [kg/h]	Mass flow
P [kW]	Power input	Op.	Operating mode
I [A]	Current	th [°C]	Discharge gas temp. w/o cooling
Qc [W]	Condenser Capacity (w. HX)		

tc	to	5°C	0°C	-5°C	-10°C	-15°C	-20°C	-25°C	-30°C
40°C	Q [W]	106643	89253	74095	60906	49465	39580	31085	23828
	Qu* [W]	106643	89253	74095	60906	49465	39580	31085	23828
	P [kW]	29,2	27,8	26,1	24,3	22,3	20,1	17,88	15,53
	I [A]	50,9	48,8	46,4	43,7	40,8	37,8	34,8	31,8
	Qc [W]	134384	115652	98935	83997	70646	58718	48072	38586
	COP [-]	3,65	3,21	2,83	2,51	2,22	1,96	1,74	1,53
	m [kg/h]	3108	2560	2098	1705	1372	1089	850	648
	Op.	Standard	Standard	Standard	Standard	Standard	Standard	Standard	Standard
	th [°C]	68,4	74,6	81,1	88,0	95,5	103,5	112,5	122,6
	40°C	Q [W]	106643	89253	74095	60906	49465	39580	31085
Qu* [W]		106643	89253	74095	60906	49465	39580	31085	23828
P [kW]		29,2	27,8	26,1	24,3	22,3	20,1	17,88	15,53
I [A]		50,9	48,8	46,4	43,7	40,8	37,8	34,8	31,8
Qc [W]		134384	115652	98935	83997	70646	58718	48072	38586
COP [-]		3,65	3,21	2,83	2,51	2,22	1,96	1,74	1,53
m [kg/h]		3108	2560	2098	1705	1372	1089	850	648
Op.		Standard	Standard	Standard	Standard	Standard	Standard	Standard	Standard
th [°C]		68,4	74,6	81,1	88,0	95,5	103,5	112,5	122,6
50°C		Q [W]	88643	74139	61442	50362	40733	32409	25258
	Qu* [W]	88643	74139	61442	50362	40733	32409	25258	19157
	P [kW]	33,2	31,2	29,0	26,6	24,0	21,4	18,71	15,96
	I [A]	57,0	53,9	50,5	47,0	43,3	39,6	35,9	32,4
	Qc [W]	120217	103773	88956	75601	63572	52751	43032	34322
	COP [-]	2,67	2,38	2,12	1,90	1,69	1,51	1,35	1,20
	m [kg/h]	3007	2469	2015	1631	1305	1028	795	599
	Op.	Standard	Standard	Standard	Standard	Standard	Standard	Standard	Standard
	th [°C]	79,2	85,5	92,0	99,0	106,6	114,8	124,0	134,3

-- No calculation possible (see message in single point selection)
 *According to EN12900 (20°C suction gas temp., 0K liquid subcooling)

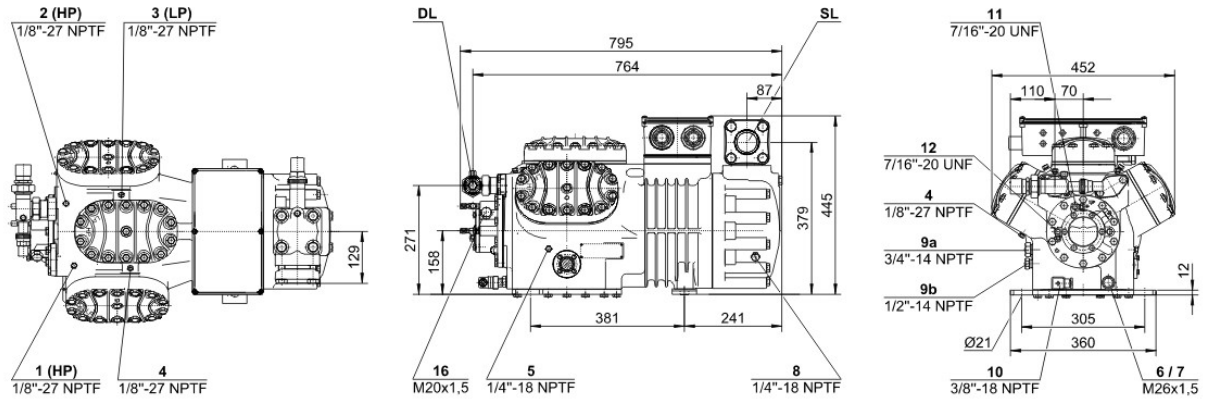
Application Limits 100% 6H-35.2





Technical Data: (6H-35.2Y)

Dimensions and Connections



Technical Data

Technical Data

Displacement (1450 RPM 50Hz)	110,5 m ³ /h
Displacement (1750 RPM 60Hz)	133,4 m ³ /h
No. of cylinder x bore x stroke	6 x 70 mm x 55 mm
Weight	235 kg
Max. pressure (LP/HP)	19 / 28 bar
Connection suction line	54 mm - 2 1/8"
Connection discharge line	35 mm - 1 3/8"
Connection cooling water	R 3/4"
Oil type R134a/R407C/R404A/R507A/R407A/R407F	tc<55°C: BSE32 tc>55°C: BSE55 (Option)
Oil type R22 (R12/R502)	B5.2 (Standard)
Oil type R290/R1270	SHC226E (Standard)

Motor data

Motor voltage (more on request)	380-420V PW-3-50Hz
Max operating current	61.0 A
Winding ratio	50/50
Starting current (Rotor locked)	147.0 A Y / 262.0 A YY
Max. Power input	37.4 kW

Extent of delivery (Standard)

Motor protection	SE-B2
Enclosure class	IP54 (Standard), IP66 (Option)
Vibration dampers	Standard
Oil charge	4,75 dm ³

Available Options

Connection suction line	Option
Discharge shut-off valve	Option
Discharge gas temperature sensor	Option
Start unloading	Option
Capacity control	100-66-33% (Option)
Additional fan	Option
Water-cooled cylinder heads	Option
Oil service valve	Option
Crankcase heater	140 W (Option)
Oil pressure monitoring	MP54 (Option), Delta-PII (Option, not for R290/R1270)

Sound measurement

Sound power level (+5°C / 50°C)	81,5 dB(A) @ 50Hz
Sound power level (-10°C / 45°C)	82,0 dB(A) @ 50Hz
Sound power level (-35°C / 40°C)	(90,5) dB(A) @ 50Hz
Sound pressure level @ 1m (+5°C / 50°C)	73,5 dB(A) @ 50Hz
Sound pressure level @ 1m (-10°C / 45°C)	74,0 dB(A) @ 50Hz
Sound pressure level @ 1m (-35°C / 40°C)	(82,5) dB(A) @ 50Hz



Semi-hermetic Reciprocating Compressors

Motor 1 = e.g. 4TES-12 with 12 "HP", primary for air-conditioning (e.g. R22,R407C) and air-conditioning with R134a at high ambient temperatures.

Motor 2 = e.g. 4TES-9 with 8 "HP", universal Motor for medium and low temperature application (e.g. R404A, R507A, R407A, R407F) and air-conditioning with R134a

Motor 3 = e.g. 4TES-8, for medium temperature applications and R134a

For more information concerning the application range use the "Limits" button.

Operation modes 4VES-7 to 6FE-44 and 44JE-30 to 66FE-88 with R407F/R407A/R22

CIC = liquid injection with low temperature application, suction gas cooled motor.

ASERCOM certified performance data

The Association of European Refrigeration Component Manufacturers has implemented a procedure of certifying performance data. The high standard of these certifications is assured by:

- * plausibility tests of the data performed by experts.
- * regular measurements at independent institutes.

These high efforts result in the fact that only a limited number of compressors can be submitted. Due to this not all BITZER compressors are certified until now. Performance data of compressors which fulfil the strict requirements may carry the label "ASERCOM certified". In this software you will find the label at the respective compressors on the right side below the field "result" or in the print out of the performance data. All certified compressors and further information are listed on the homepage of ASERCOM.

Condensing capacity

The condensing capacity can be calculated with or without heat rejection. This option can be set in the menu Program Options. The heat rejection is constantly 5 % of the power consumption. The condensing capacity is to be found in the line Condensing cap. (with HR) resp. Condensing capacity.

Data for sound emission

Data based on 50 HZ application (IP-units 60 Hz) and R404A if not declared.

Sound pressure level: values based on free field area conditions with hemispherical sound emission in 1 meter distance.

General remarks regarding sound data

Listed sound data were measured under testing conditions in our laboratory. For this purpose the free-standing test sample is mounted on a solid foundation plate and the pipework is connected vibration-free to the largest extent possible. Suction and discharge lines are fixed in a flexible configuration, such that a transmission of vibrations to the environment can be largely excluded. In real installations considerable differences might be observed, compared to the measurements in the laboratory. The airborne sound emitted by the compressor can be reflected from surfaces of the system and this may increase the airborne sound level measured close to the compressor. Vibrations caused by the compressor are also transferred to the system by the compressor feet and piping depending on the damping ratio of the fixings. Thus, the vibrations can induce other components to such an extent that these components contribute to an increase in airborne sound emission. If required, the transfer of vibrations to the system can be minimized by suitable fixing and damping elements.

Legend of connection positions according to "Dimensions":

- 1 High pressure connection (HP)
- 2 Connection for discharge gas temperature sensor (HP) (for 4VE(S)-6Y .. 4NE(S)-20(Y) connection for CIC sensor as alternative)
- 3 Low pressure connection (LP)
- 4 CIC system: injection nozzle (LP)
- 4b Connection for CIC sensor
- 4c Connection for CIC sensor (MP / operation with liquid subcooler)
- 5 Oil fill plug
- 6 Oil drain
- 7 Oil filter (magnetic screw)
- 8 Oil return (oil separator)
- 8* Oil return with NH3 and insoluble oil
- 9 Connection for oil and gas equalization (parallel operation)
- 9a Connection for gas equalization (parallel operation)
- 9b Connection for oil equalization (parallel operation)
- 10 Oil heater connection
- 11 Oil pressure connection +
- 12 Oil pressure connection –
- 13 Cooling water connection
- 14 Intermediate pressure connection (MP)
- 15 Liquid injection (operation without liquid subcooler and with thermostatic expansion valve)
- 16 Connection for oil monitoring (opto-electrical oil monitoring "OLC-K1" or differential oil pressure switch "Delta-PII")



- 17 Refrigerant inlet at liquid subcooler
 - 18 Refrigerant outlet at liquid subcooler
 - 19 Clamp space
 - 20 Terminal plate
 - 21 Maintenance connection for oil valve
 - 22 Pressure relief valve to the atmosphere (discharge side)
 - 23 Pressure relief valve to the atmosphere (suction side)
 - 24 IQ MODULE
 - SL Suction gas line
 - DL Discharge gas line
- Dimensions can show tolerances according to EN ISO 13920-B.

Motocompressori semi-ermetici
Semi-hermetic motor-compressors
Moto-compresseurs semi-hèrmetiques
Halbhermetische Motorkompressoren

3rd Millennium Range / 2004



OFFICINE MARIO DORIN S.p.A.

Via Aretina, 388
50061 Compiobbi Firenze (Italy)
Tel. +39.055.62321.1
Fax +39.055.62321.380
Telex 570164 Dorin Firenze
<http://www.dorin.com>
E mail: dorin@dorin.com

DORIN



3rd Millennium Range

OMD: A future started in 1918

Founded in 1918 as a manufacturer of machine tools, air compressors, liquid pumps and as vehicle motor repairers, OMD started building compressors and refrigeration systems in 1932.

OMD has produced semi-hermetic compressors since 1957 and today they are the core business of the company. Today OMD are able to offer a vast range of over 70 semi-hermetic compressors ranging from 0.4hp to 150hp for both HFC and HCFC s to better meet the requirements of the market. To these are added a series of 2 stage compressors and a full range of accessories.

Efficiency, reliability and robustness are the principle characteristics of our compressors which are ready to face the stringent challenges and requirements of the new millennium.

Quality, Quality and Quality: this is Dorins' commitment.

Quality of suppliers

Quality of components: each single component is subjected to rigorous testing to ensure compliance with strict specifications.

Quality of Production: each production phase and each compressor is continuously monitored and tested to rigorous standards. The resulting data is archived and available at our clients disposal.

The various phases are followed and controlled in accordance with the Quality System ISO 9002-1994 certified by Lloyds Register Quality Assurance (Certificate No. LRC 170322).

All compressors are built and produced in accordance with the applicable European Norms: EN 292 - 1/2, EN 294, EN 60204, prEN 349, EN 60529, IEC 336-1, IEC 335-2-34.

The CE marking on each compressor plate and our Declarations of Conformity are testimony to our build quality.

Gamme du 3^{ème} millénaire

OMD: Un futur initié en 1918

Fondée en 1918, d'abord constructeur de machines outils, compresseurs à air, pompes de liquide et réparation de moteurs pour véhicules, l'entreprise OMD a initié en 1932 la production de compresseurs et produits de réfrigération.

Depuis 1957, l'entreprise OMD produit des compresseurs semi-hermétiques pour conditionnement d'air et réfrigération ce qui constitue aujourd'hui l'activité principale de la société.

L'entreprise OMD est aujourd'hui en mesure d'offrir une gamme complète et diversifiée de compresseurs semi-hermétiques pour mieux répondre aux demandes du marché: plus de 70 modèles aux puissances nominales de 0.4hp à 150hp étudiés et fabriqués pour pouvoir être utilisés avec les HCFC's ou les HFC's.

A ceci, s'ajoute une gamme de compresseurs à deux étages et un choix plus important d'accessoires.

Efficacité, fiabilité et robustesse: Ce sont les caractéristiques principales de nos compresseurs qui sont, bien sûr, prêts à affronter les défis du marché et continuer à être un point de référence même dans le nouveau millénaire.

Qualité, Qualité et Qualité: Voici le mot d'ordre de DORIN

Qualité des fournisseurs

Qualité de chaque composant: chaque composant fait l'objet de tests rigoureux pour en vérifier ses caractéristiques

Qualité du cycle productif: chaque phase de la production et chaque compresseur assemblé sont soumis à de rigoureux et continus contrôles et tous les résultats sont archivés et donc à disposition des clients.

Toutes les différentes phases sont exécutées et contrôlées en accord avec le Système de Qualité ISO9002-1994 certifié par Lloyd's Register Quality Assurance (Certificat N° LRC 170322).

Tous les compresseurs sont fabriqués et produits en accord avec les Directives Européennes applicables: EN 292 - 1/2, EN 294, EN 60204, prEN 349, EN 60529, IEC 336-1, IEC 335-2-34.

La marque CE estampillée sur la plaque de chaque compresseur et les déclarations en conformité en attestent.

3rd Millennium Range

OMD: Un futuro iniziato nel 1918

Fondate nel 1918 come costruttore di macchine utensili, compressori aria, pompe di liquido e riparazione di motori per autoveicoli, le OMD iniziarono nel 1932 a costruire compressori e impianti di refrigerazione.

È dal 1957 che le OMD producono compressori semiermetici per condizionamento e refrigerazione che oggi costituiscono il «core business» della Società.

Le OMD sono oggi in grado di offrire una gamma completa e diversificata di compressori semiermetici per meglio rispondere alle richieste del mercato: più di 70 modelli con potenze nominali da 0.4 hp a 150 hp progettati e costruiti per poter essere utilizzati conHCFC's o HFC's. A questo va aggiunta una gamma di compressori a doppio stadio e una serie molto ampia di accessori.

Efficienza, affidabilità e robustezza: sono queste le caratteristiche principali dei ns. compressori che sono sicuramente pronti a raccogliere le sfide del mercato e continuare ad essere un punto di riferimento anche nel nuovo millennio.

Qualità, Qualità e Qualità: ecco la parola d'ordine DORIN.

Qualità dei Fornitori

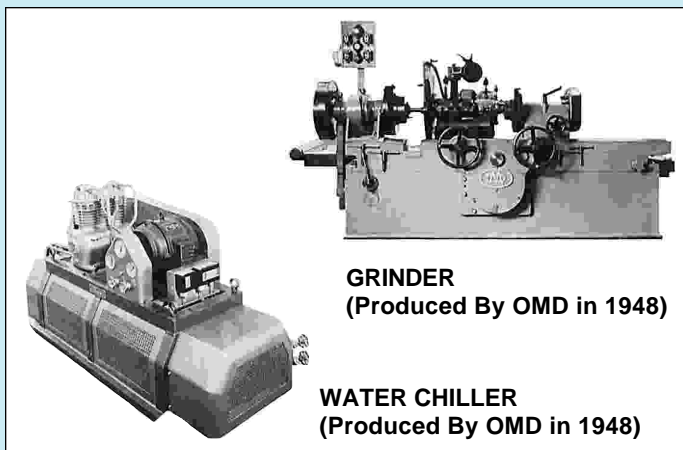
Qualità dei singoli componenti: ogni componente è soggetto a rigorosi tests per verificarne la rispondenza alle specifiche.

Qualità del ciclo produttivo: ogni fase della produzione ed ogni compressore assemblato è sottoposto a rigorosi e continui controlli e tutti i risultati sono archiviati e a disposizione dei Clienti.

Tutte le varie fasi sono eseguite e controllate in accordo al Sistema di Qualità ISO9002-1994 certificato dal Lloyd's Register Quality Assurance (Certificato n° LRC 170322).

Tutti i compressori sono costruiti e prodotti in accordo alle Direttive Europee applicabili: EN 292 - 1/2, EN 294, EN 60204, prEN 349, EN 60529, IEC 336-1, IEC 335-2-34.

Il marchio CE stampigliato sulla targhetta di ogni singolo compressore e le relative Dichiarazioni di Conformità ne attestano la rispondenza.



GRINDER
(Produced By OMD in 1948)

WATER CHILLER
(Produced By OMD in 1948)

3rd Millennium Range

OMD: Die Zukunft stammt aus dem Jahr 1918

Nach der Gründung im Jahr 1918 als Herstellungsbetrieb von Werkzeugmaschinen, Luftverdichtern, und Flüssigkeitspumpen sowie als Kfz-Reparaturwerkstatt begann man bei OMD im Jahr 1932 mit der Herstellung von Kompressoren und Kühlanlagen.

Seit 1957 produziert OMD nun halbhermetische Kompressoren für Klimaanlage und sonstige kältetechnische Anwendungen, die mittlerweile zum «Core Business» der Gesellschaft avanciert sind.

Heute kann das Haus OMD mit einer umfassenden und breit gefächerten Angebotspalette von halbhermetischen Kompressor aufwarten und die Anforderungen des Marktes somit bestens erfüllen: über 70 Modelle, derenNennleistungen von 0,4 PS bis hin zu 150 PS reichen und speziell für den Einsatz von FCKW oder FKW konzipiert wurden.

Hinzu kommt eine gesonderte Produktpalette von zweistufigen Kompressoren sowie ein äußerst reichhaltiges Angebot an Zubehörteilen. Leistungsvermögen, Zuverlässigkeit und Robustheit: dies sind die hervorstechendsten

Eigenschaften unserer Kompressoren, mit denen wir von keiner Herausforderung des Marktes zurückschrecken und auch im dritten Jahrtausend eine feste Bezugsgröße sein werden.

Qualität, Qualität und wieder Qualität: dies ist das Motto des Hauses DORIN: Qualität der Lieferanten.

Qualität der einzelnen Bauteile: jedes Bauteil wird strengen Tests unterzogen, um seine Übereinstimmung mit den jeweiligen Spezifikationen zu überprüfen.

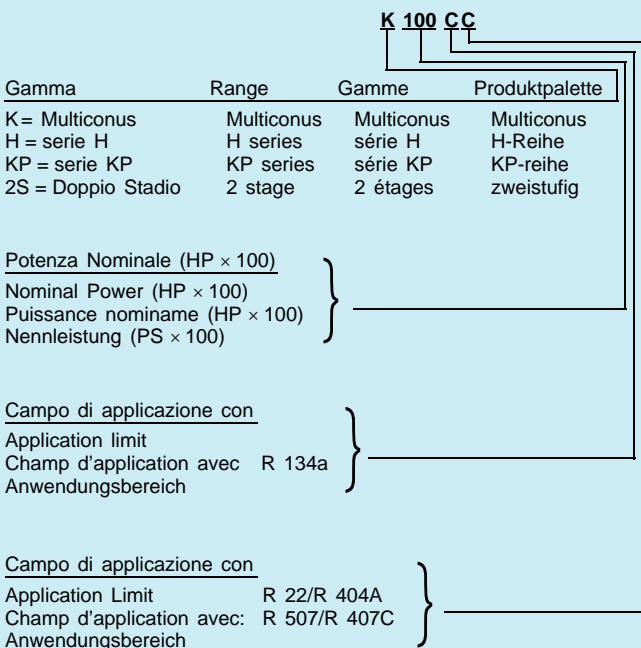
Qualität des Produktionsablaufs: jede Phase der Produktion und jederzusammengebaute Komperssor werden ständigen, strikten Kontrollen unterzogen; alle Testergebnisse werden archiviert und stehen dem Kunden zur Verfügung.

Die Abwicklung und Kontrolle sämtlicher Herstellungsphasen erfolgt gemäß dem Qualitätssicherungssystem ISO 9002-1994 mitZertifizierung beim Lloyd's Register Quality Assurance (Zertifikat Nr. LRC 170322)

Die Kompressoren werden ausnahmslos unter Einhaltung der anwendbaren Europäischen Richtlinien konstruiert und hergestellt: EN 292 - 1/2, EN 294, EN 60204, prEN 349, EN 60529, IEC 336-1, IEC 335-2-34.

Die auf dem Typenschild jedes einzelnen Komperssors befindliche CE-Kennzeichnung sowie die entsprechenden Konformitätserklärungen bestätigen die Einhaltung der genannten Normen.

Gamma completa Complete range Gamme complete Komplettserie	Pag. 4 - 5
Campo di applicazione Application field Domaine d'application Verwendungsbereich	Pag. 6 - 7
Serie H - K	Pag. 8 - 29
Serie KP	Pag. 30 - 33
Livelli sonori Noise level Niveau sonore Rauschpegel	Pag. 34 - 35
Compressori a Doppio Stadio Two-Stage Compressors Compresseurs a deux Etages Zweistufige Verdichter	Pag. 36 - 41
Descrizione della sigla del modello Description of Model Code Description de la dénomination du modèle Aufschlüsselung der Modellbezeichnung	



Campo di Applicazione

C = Alta Temp. di evaporazione (fino a +5°C/+10°C)
 S = Media Temp. di evaporazione (fino a -5°C)
 B = Bassa Temp. di evaporazione (fino a -20°C)

Application Limits

C = High evaporating temp. (+5/+10°C.)
 S = Medium evaporating temp. (up to -5°C.)
 B = Low evaporating temp. (up to -20°C.)

Champ d'application

C = Haute température d'évaporation (jusqu'à +5°C/+10°C)
 S = Moyenne température d'évaporation (jusqu'à -5°C)
 B = Basse température d'évaporation (jusqu'à -20°C)

Anwendungsbereiche

C = Hohe Verdampfungstemperatur (bis zu +5 °C/+10 °C)
 S = Mittlere Verdampfungstemperatur (bis zu -5 °C)
 B = Niedrige Verdampfungstemperatur (bis zu -20 °C)

Gamma Completa - Complete Range Gamme complete - Komplettserie

Modello Model Modele Modell	Volume spost. Displacem. Volume bal. m³/h	Campo appl. - Appl. range Champ. d'appl. - Anwend.			Serie Range Serie Reihe	Peso netto Net weight Poids net Nettogewicht Kg.	Teach Data see page
		R22 R407C	R404A R507	R134a			
H 40CC	2,89	H	H	H	H1	32	da/from 12 a/to 26
H 50CS	3,86	M	M	H	H1	33	
H 75CC	3,86	H	H	H	H1	34	
H 75CS	5,30	M	M	H	H1	34	
H100CC	5,30	H	H	H	H1	35	
H100CS	6,75	M	M	H	H1	35	
H150CC	6,75	H	H	H	H1	37	
H150CS	7,71	M	M	H	H1	37	
H180CC	7,71	H	H	H	H1	38	
H180CS	8,47	M	M	H	H1	38	
H200CC	8,47	H	H	H	H1	40	
H200CS	9,88	M	M	H	H1	38	
H220CC	9,88	H	H	H	H1	40	
H220CS	10,85	M	M	H	H1	40	
H250CC	10,85	H	H	H	H1	42	
H250CS	12,17	M	M	H	H1	40	
H280CS	12,17	M	M	H	H1	42	
H290CS	14,74	M	M	H	H2	52	da/from 12 a/to 26
H300CC	14,74	H	H	H	H2	54	
H300CS	15,94	M	M	H	H2	52	
H350CC	15,94	H	H	H	H2	54	
H350SB	17,53	/	L	M	H2	52	
H380SB	19,53	/	L	M	H2	52	
H380CC	17,53	H	H	H	H2	54	
H390CS	19,53	M	M	H	H2	54	
H392CS	23,31	L	L	H	H2	54	
K400CC	16,76	H	H	H	K3	84	da/from 12 a/to 26
K400CS	19,30	M	M	H	K3	84	
K470CC	19,30	H	H	H	K3	87	
K470CS	23,37	M	M	H	K3	84	
K500CC	23,37	H	H	H	K3	88	
K500SB	26,50	L	L	M	K3	87	
K500CS	26,50	M	M	H	K3	88	
K740CC	26,50	H	H	H	K3	88	
H402CC	19,98	H	H	H	H32	84	in pubblicazione not yet available
H402CS	22,83	M	M	H	H32	84	
H502CC	22,83	H	H	H	H32	87	
H502CS	26,44	M	M	H	H32	87	
H742CC	26,44	H	H	H	H32	88	

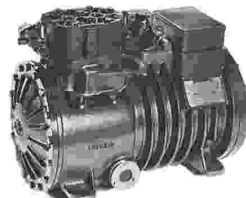
Appl. Range: H = evaporating temp. Up to +5°C/+10°C ; M = evaporating temp. Up to -5°C ; L = evaporating temp. Up to -20°C



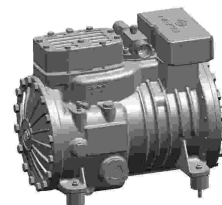
H1



H2



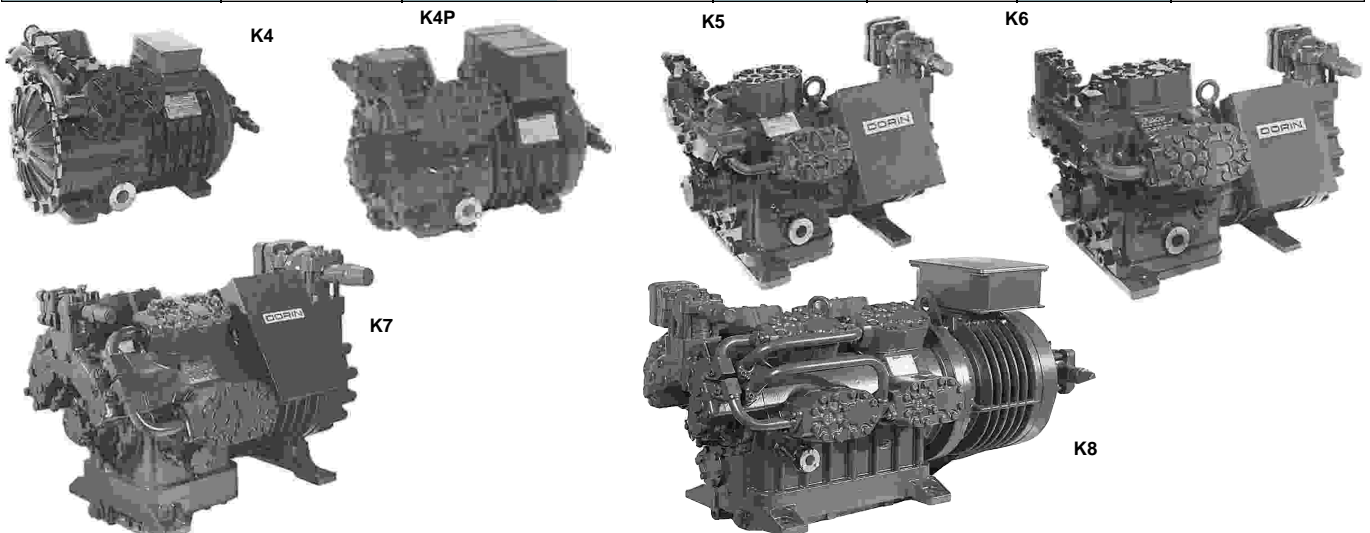
K3



H32

Gamma Completa - Complete Range Gamme complete - Komplettserie

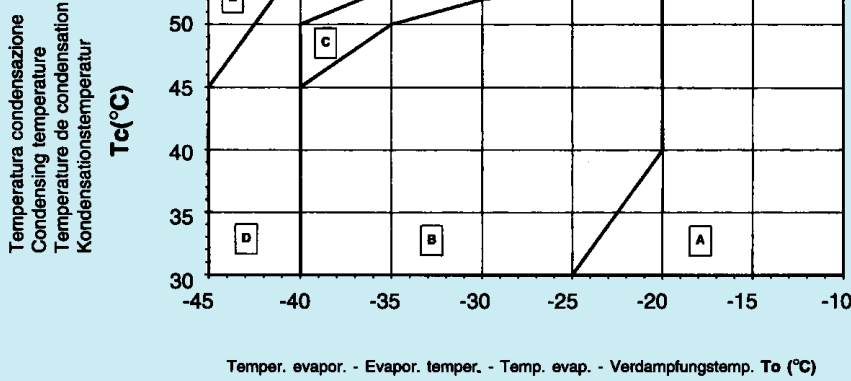
Modello Model Modele Modell	Volume spost. Displacem. Volume bal. m ³ /h	Campo appl. - Appl. range Champ. d'appl. - Anwend.			Serie Range Serie Reihe	Peso netto Net weight Poids net Nettogewicht Kg.	Teach Data see page
		R22 R407C	R404A R507	R134a			
K 750CC K 750CS K 1000CC	32,54 38,64 38,64	H M H	H M H	H H H	K4 K4 K4	113 113 118	da/from 12 a/to 27
KP 750CS KP1000CC	38,65 38,65	M H	M H	H H	KP KP	115 120	da/from 30 a/to 33
K 1000CS KP1000CS	48,80 48,80	M M	M M	H H	K4 KP	120 120	da/from 12 a/to 27 da/from 30 a/to 33
K 1500CC KP1500CC KP1500CS KP2000CC	48,82 48,82 56,95 56,95	H H M H	H H M H	H H H H	K4 KP KP KP	120 120 122 122	da/from 12 a/to 27 da/from 30 a/to 33
K 1500CS K 2000CC K 1500CB K 2500CC K 2500CB K 3000CC	57,90 57,90 73,20 73,20 83,90 83,90	M H M H L H	M H M H L H	H H H H H H	K5 K5 K5 K5 K5 K5	173 173 173 173 173 182	da/from 12 a/to 27
K 3000CS K 3500CC K 3000CB K 4000CC K 4500CS	110,6 110,6 126,7 126,7 138,3	M H L H M	M H L H M	H H H H H	K6 K6 K6 K6 K6	228 233 228 233 239	da/from 12 a/to 27
K 4700CS K 5000CC K 5500CC K 5000CS K 6000CC K 6000CS K 7500CC	153,7 153,7 169,1 184,4 184,4 199,8 199,8	M H H M H M H	M H H M H M H	H H H H H H H	K7 K7 K7 K7 K7 K7 K7	335 335 335 340 345 345 345	da/from 12 a/to 27
K 10000CC K 11000CC K 13000CC K 15000CC	249,82 299,79 349,75 399,72	H H H H	H H H H	H H H H	K8 K8 K8 K8	570 580 590 600	in pubblicazione not yet available



R22

DIAGRAMMA DI APPLICAZIONE - MEDIE E BASSE TEMPERATURE DI EVAPORAZIONE
 APPLICATION DIAGRAM - MEDIUM-LOW EVAPORATION TEMPERATURE
 DIAGRAMME D'UTILISATION - MOYENNE ET BASSE TEMPÉRATURES D'ÉVAPORATION
 EINSATZBEREICH DIAGRAM - NORMAL-TIEFKÜHL TEMPERATUREN

H1 / H2
(K1 / K2)



CAMPO DI APPLICAZIONE - AREAS DESCRIPTION -
 ZONES D'UTILISATION - EINSATZBEREICHE

A= APPLICAZIONE STANDARD - NORMAL OPERATION -
 APPLICATION STANDARD - STANDARD EINSATZ

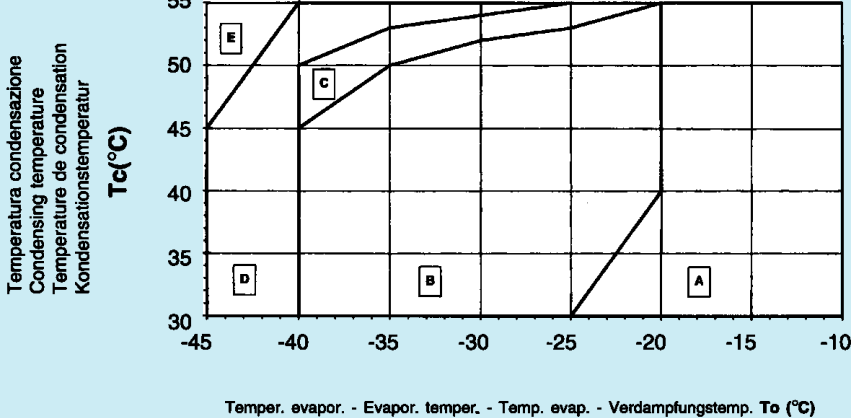
B=VENTILATORE SU TESTA + ToH30K max - HEAD FAN+ ToH30K max
 AVEC VENTILATEUR DE CULASSE + ToH30K max -
 ZYLINDERKOPFBELÜFTUNG ERFORDERLICH
 SAUGGASÜBERHITZUNG + ToH30K max

C=VENTILATORE SU TESTA + ToH20K max - HEAD FAN+ ToH20K max
 AVEC VENTILATEUR DE CULASSE + ToH20K max -
 ZYLINDERKOPFBELÜFTUNG ERFORDERLICH
 SAUGGASÜBERHITZUNG + ToH20K max

D= SOLO PER APPLICAZIONE SPECIALE - SPECIAL OPERATION ONLY -
 SEULEMENT POUR APPLICATION SPÉCIALES -
 SPEZIELLER EINSATZBEREICH

E= NESSUNA APPLICAZIONE PERMESSA - NO OPERATION PERMITTED
 ZONE D'UTILISATION INTERDITE - KEIN EINSATZ MÖGLICH

H32 / K3 / K7
 KP



A = APPLICAZIONE STANDARD - NORMAL OPERATION -
 APPLICATION STANDARD - STANDARD EINSATZ

B = VENTILATORE SU TESTA - HEAD FAN - AVEC VENTILATEUR DE CULASSE
 ZYLINDERKOPFBELÜFTUNG ERFORDERLICH

C = VENTILATORE SU TESTA (+ DTC SE ToH>30K) - HEAD FAN(+ DTC IF ToH>30K)
 AVEC VENTILATEUR DE CULASSE (+ DTC SI ToH>30K)
 ZYLINDERKOPFBELÜFTUNG ERFORDERLICH SAUGGASÜBERHITZUNG
 (+DTC WEN ToH>30K)

D = VENTILATORE SU TESTA (+ DTC SE ToH>20K) - HEAD FAN (+DTC IF ToH>20K)
 AVEC VENTILATEUR DE CULASSE (+DTC SI ToH>20K)
 ZYLINDERKOPFBELÜFTUNG ERFORDERLICH SAUGGASÜBERHITZUNG
 (+DTC WEN ToH>20K)

E = VENTILATORE SU TESTA + DTC - HEAD FAN + DTC
 AVEC VENTILATEUR DE CULASSE + DTC
 ZYLINDERKOPFBELÜFTUNG ERFORDERLICH SAUGGASÜBERHITZUNG+ DTC

F = SOLO PER APPLICAZIONI SPECIALI (CONSIGLIATI COMPRESSORI DOPPIO STADIO)
 SPECIAL APPLICATION ONLY (TWO STAGE COMPR. SUGGESTED)
 SEULEMENT POUR APPLICATION SPÉCIALES (COMPR. 2 ETAGES CONSEILLÉS)
 SPEZIELLER EINSATZBEREICH (ZWEISTUFIGE KOMPRESSORE EMPFOHLEN)

G= NESSUNA APPLICAZIONE PERMESSA - NO OPERATION PERMITTED
 ZONE D'UTILISATION INTERDITE - KEIN EINSATZ MÖGLICH

Note:

- Il sistema di Iniezione di Liquido (D.T.C.) può essere installato su tutti i modelli K3/K7 standard.
- Al fine di ridurre al minimo la quantità di refrigerante liquido iniettata dal D.T.C., e quindi per aumentare l'efficienza dell'impianto, è necessario limitare il più possibile il surriscaldamento del gas in aspirazione e dimensionare sia l'evaporatore, sia il condensatore in modo da lavorare con piccole differenze di temperatura.
- Qualora si debba lavorare nelle zone D (diagramma 1) e/o F (diagramma 2) ("Applicazioni Speciali"), contattare preventivamente il ns. Ufficio Tecnico.
- I compressori equipaggiati con teste parzializzate, dovranno essere utilizzati solamente nella zona A (diagramma 2). Contattare eventualmente il ns. Ufficio Tecnico.
- Il D.T.C. può diminuire la resa fino al 10% in funzione del Rapp. di Compr., Temp. di Aspirazione e Temp. Ambiente. Consultare il ns. Uff. Tecnico per maggiori informazioni.

Note:

- The D.T.C. (Discharge Temperature Control) device can be installed on all K3/K7 standard compressors.
- In order to minimize the liquid quantity injected by the D.T.C. device, and consequently to improve the efficiency of the system, it is necessary to pay attention in limiting the suction gas superheating and in designing the condenser and the evaporator (Work with the minimum allowable At).
- If operation into areas D (diagram 1) and/or F (diagram 2) is required (special applications), pls. contact Our technical dept. for further info.
- The compressors with capacity control device must be limited A area (diag. 2) pls. contact Our Techn. Dept.
- The D.T.C. can decrease the duty by up to 10% depending upon Pressure Ratio, Suction Temperature and Ambient Temperature. Please contact our Tech.Dept. for more info.

Remarques:

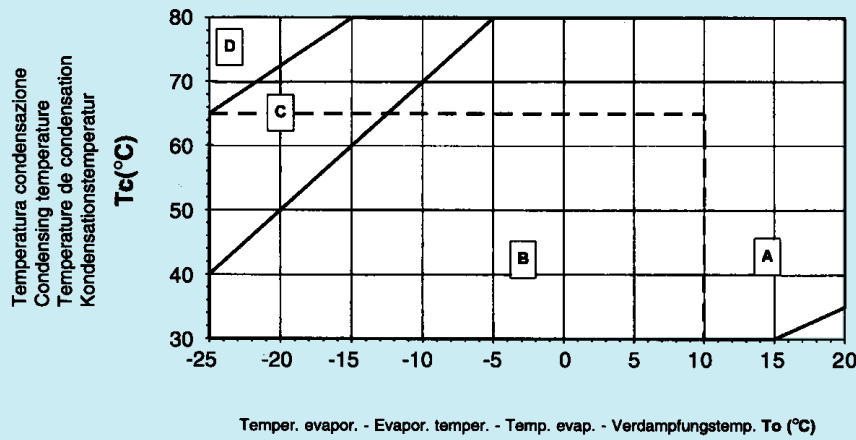
- La D.T.C. (Discharge Température Control) peut être installée sur tous les compresseurs standard de la famille K3 à K7.
- Afin de minimiser la quantité de liquide injecté par la D.T.C., et donc d'augmenter le rendement de l'installation, il est nécessaire de faire attention, à limiter la surchauffe à l'aspiration et à la sélection du condenseur et de l'évaporateur. (Utiliser des t acceptables).
- Si vous devez utiliser nos compresseurs dans la zone D (Diagramme 1) et/ou F (Diagramme 2) (Applications spéciales), consulter au préalable notre service technique pour de plus amples renseignements.
- Les compresseurs équipés de réductions de puissance ne devront être utilisés que dans la zone A (Diagramme 2). Consulter éventuellement notre service technique.
- La D.T.C. peut diminuer au maximum la puissance frigorifique de 10% en fonction du taux de compression, de la température d'évaporation et de la température d'aspiration. Consulter notre service technique pour de plus amples renseignements.

Zur Bachtung:

- Die D.T.C. (Druckgastemperaturkontrolle) Einrichtung kann für alle Kompressoren von K3/K7 geliefert werden.
- Um die Flüssigkeitseinspritzung durch die D.T.C. Einrichtung zu minimieren und daraus ergebend die Leistung der Kälteanlage zu erhöhen, ist es notwendig, die Überhitzung des Sauggases so gering wie möglich zu halten und die Auswahl der Kondensatoren und der Verdampfer zu optimieren.
- Bei Anwendung im Bereich des Diagrammes D (Diagramm 1) und/oder F (Diagramm 2) ersuchen wir Sie um Kontaktaufnahme mit unserem technischen Büro für zusätzliche Informationen.
- Für Kompressoren mit Leistungsregelung kann nur im Bereich A (Diagramm 2) gearbeitet werden. Bitte kontaktieren Sie unser technisches Büro.
- Die Verwendung der Flüssigkeitseinspritzung D.T.C. kann die Leistung bis zu 10% reduzieren, abhängig von Druckverhältnis, Sauggastemperatur und Umgebungstemperatur. Bitte kontaktieren Sie unser techn. Büro für zusätzliche Informationen.

R134a

DIAGRAMMA DI APPLICAZIONE - MEDIE E ALTE TEMPERATURE DI EVAPORAZIONE
 APPLICATION DIAGRAM - MEDIUM AND HIGH EVAPORATION TEMPERATURE
 DIAGRAMME D'UTILISATION - MOYENNE ET HAUTE TEMPÉRATURES D'ÉVAPORATION
 EINSATZBEREICH DIAGRAM - NORMAL UND KLIMA TEMPERATUREN

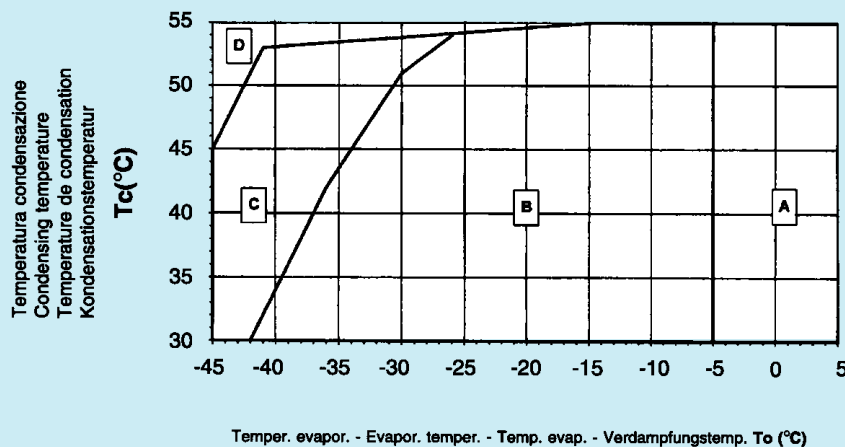


CAMPO DI APPLICAZIONE - AREAS DESCRIPTION
 ZONES D'UTILISATION - EINSATZBEREICHE

- A= SOLO PER MODELLI "CC" - "CC" MODELS ONLY
 MODELES "CC" UNIQUEMENT - NUR "CC" MODELLE
- B= APPLICAZIONE STANDARD - NORMAL OPERATION
 APPLICATION STANDARD - STANDARD EINSATZ
- C= VENTILATORE SU TESTA - HEAD FAN
 AVEC VENTILATEUR DE CULASSE
 ZYLINDERKOPFBELÜFTUNG
- D= NESSUNA APPLICAZIONE PERMESSA
 NO OPERATION PERMITTED
 ZONE D'UTILISATION INTERDITE
 KEIN EINSATZ MÖGLICH

R404A/R507

DIAGRAMMA DI APPLICAZIONE
 APPLICATION DIAGRAM
 DIAGRAMME D'UTILISATION
 EINSATZBEREICH DIAGRAM



CAMPO DI APPLICAZIONE - AREAS DESCRIPTION
 ZONES D'UTILISATION - EINSATZBEREICHE

- A= SOLO PER MODELLI "CC" - "CC" MODELS ONLY
 MODELES "CC" UNIQUEMENT - NUR "CC" MODELLE
- B= APPLICAZIONE STANDARD - NORMAL OPERATION
 APPLICATION STANDARD - STANDARD EINSATZ
- C= VENTILATORE SU TESTA - HEAD FAN
 AVEC VENTILATEUR DE CULASSE
 ZYLINDERKOPFBELÜFTUNG
- D= NESSUNA APPLICAZIONE PERMESSA
 NO OPERATION PERMITTED
 ZONE D'UTILISATION INTERDITE
 KEIN EINSATZ MÖGLICH

Per utilizzo con refrigeranti HFC è necessario ordinare il compressore con olio POE.

For operation with HFC refrigerants the compressor must be ordered with POE OIL.

Pour une utilisation avec HFC, il faut commander le compr. avec l'huile POE.

Für Anwendung mit HFC Kältemitteln muß der Kompressor mit POE Öl.

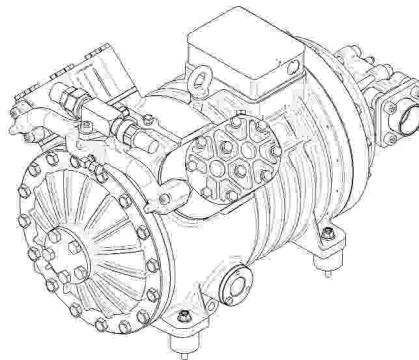
– Non miscelare mai olii estere con olii diversi.

– Never mix ester oils with different oils.

– Ne mélanger jamais le huiles ester avec d'autres huiles.

– Niemals Esteröl mit anderen ölen vermischen.

K SERIE MULTICONUS



VANTAGGI

- Vasto campo di applicazione da + 10°C fino a -40°C;
- ampia gamma di capacità: 2 cilindri, 1/3 Hp nominale, 2,89 m³/h per il più piccolo compressore ed 8 cilindri, 75 Hp e 199,8 m³/h per il più grande.
- alta efficienza volumetrica ed energetica specialmente a basse temperature di evaporazione;
- disponibilità di scelta;
- design moderno, silenzioso ed affidabile.

SERIE K

La serie K comprende compressori con capacità nominale da 1/3 a 75 cavalli e cilindrata da 2,89 m³/h a 199,8 m³/h.

Questa nuova serie di compressori DORIN è nata dalla nostra continua ricerca di innovazione del prodotto e del sempre maggior interesse degli utenti per i problemi ambientali e di riduzione dei consumi energetici. Questi nuovi modelli sono stati, infatti concepiti con l'obiettivo di ottenere bassi consumi elettrici ed adattabilità a gas frigoriferi esistenti (R 22) e futuri non inquinanti, che presentino caratteristiche di surriscaldamento alla compressione più elevati di R 12 e R 502.

I compressori della serie K sono stati inoltre realizzati tenendo in massima considerazione i consigli dei nostri clienti e i suggerimenti in merito a funzionalità di montaggio e servizio, ingombro, rumorosità e vibrazioni. Sono di seguito indicate le caratteristiche più significative:

1. EFFICIENZA: grazie all'uso del sistema MULTICONUS, all'allargamento dei passaggi del gas ed alla nuova configurazione delle valvole, il rendimento effettivo dei compressori è considerabilmente aumentato soprattutto a bassa temperatura. Il rapporto fra il rendimento frigorifero ed il consumo elettrico (E.E.R.) è migliorato di conseguenza.

2. ADATTABILITÀ A BASSE TEMPERATURE DI EVAPORAZIONE CON R 22:

questa gamma di compressori è particolarmente adatta per essere usata con R 22 a bassa temperatura di evaporazione, grazie alle nuove posizioni dei rubinetti di aspirazione e di scarico tramite cui è stato ridotto sensibilmente il surriscaldamento dei gas aspirati, e conseguentemente la temperatura degli stessi a fine compressione, e il riscaldamento del carter da parte dei gas compressi.

Inoltre, l'aver previsto rubinetti di scarico sulla testa del compressore per i modelli più piccoli e sul collettore per i compressori più grandi permette di «espellere» immediatamente i gas compressi, riducendo sensibilmente la trasmissione di calore, che normalmente avviene tra camera di compressione e carter.

3. COMPATTEZZA E FUNZIONALITÀ: vista dall'esterno, questa nuova gamma, si presenta con un moderno design, basato sulle nuove necessità di ridurre gli spazi ed ottimizzare montaggio e manutenzione. I nuovi compressori più piccoli sono infatti più corti di quelli della vecchia serie e hanno rubinetti, targhetta e spia dell'olio, tutto sullo stesso lato onde richiedere un solo accesso per gli interventi di servizio.

4. VIBRAZIONI E PULSAZIONI: grazie all'attenta selezione dei componenti dinamici (albero, biella, pistoni e contrappesi) basata su conoscenze di nuovi materiali e nuovi sistemi di progettazione computerizzata, si sono raggiunti notevoli miglioramenti nel campo delle vibrazioni proprie della nuova gamma di macchine alternative. Grazie inoltre a moderni sistemi di acquisizione dati è stato possibile ottimizzare sperimentalmente i flussi del gas all'interno del compressore, riducendo le pulsazioni di circa il 50%.

5. RUMOROSITÀ: a causa delle crescenti richieste del mercato per compressori sempre più silenziosi, è stata dedicata particolare cura al miglioramento del livello di rumorosità della nuova gamma. La riduzione di vibrazioni e pulsazioni è già di per sé un grosso contributo alla diminuzione del livello sonoro, ma ulteriori soddisfacenti risultati sono stati ottenuti lavorando sul sistema valvole.

6. COLLAUDI E CONTROLLI QUALITÀ: questa gamma di compressori è stata progettata in conformità a normative internazionali quali UL984, CEI 61-1, CEI61-18 - CENELEC HD 277SI.

ADVANTAGES

- Wide application range: from + 10°C down to -40°C;
- Wide capacity range: 2 cylinders, 1/3 Hp nominal input, 2,89 m³/h for the smallest 8 cylindr, 75 Hp nominal input, 199,8 m³/h for the biggest.
- High volumetric and energy efficiency especially at low evaporating temperatures.
- Options availability.
- Modern, quiet and reliable design.

K RANGE

The «K» compressor range cover nominal capacities from 1/3 Hp to 75 Hp and displacements from 2,89 m³/h to 199,8 m³/h.

This new range of DORIN, compressors is born from our continuous research for product innovation, as well as the increasing interest of the users for environment and energy saving problems. These new types have been, in fact, designed to get low power input and ability to work with available refrigerant (R 22) and future environment safe refrigerants usually showing higher discharge temperatures than R 12 and R 502.

Moreover, K compressor range has been developed bearing in mind our customer's advices and recommendations for what regards easy installation and maintenance, sizes, noise and vibrations.

Here-after are the most significant characteristics:

1. EFFICIENCY: thanks to MULTICONUS implementation, gas passages increase, and valve position, compressor's efficiency has been a lot increased mainly for low temperature applications.

Ratio cooling capacity to power input (E.E.R.: energy efficiency ratio) has been increased as well.

2. ABILITY TO OPERATE R 22 LOW TEMPERATURES: this compressors range is especially able to operate with R 22 at low evaporating temperatures thanks to suction and discharge shut-off valves mounting helping to substantially reduce suction gas temperature (consequently discharge temperature), and their heat transfer to crankcase.

Moreover, designing discharge shut-off valve assemblend on the cylinder head for smaller compressors or on a manifold for bigger compressors means direct exhaust of discharge gas, considerably decreasing heat transfer, which usually goes from discharged chamber to body.

3. COMPACTNESS AND SERVICIBILITY: seen from outside this new range has a modern design, based on new demand for overall size reduction, and optimized installation and servicing.

New smaller compressors actually are shorter than previous ones and have shut-off valves name plate, and sight glass, everything on the same side as to reach it from one side only when service is needed.

4. VIBRATIONS AND PULSATIONS: thanks to accurate selection of moving parts (shaft, rod, piston and counterweight) based on new materials know-how as well as computerized designing, noticable improvements have been reached for what regards vibrations of this new range of piston compressors.

When using modern equipment for data recording it has been possible to significantly optimize gas flow within compressor and reduce pulsations with about 50%.

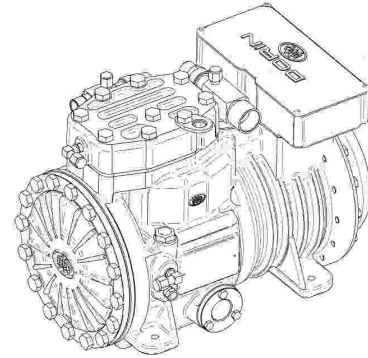
5. NOISE: market requesting quieter compressors, specific care has been dedicated to improve noise level of this new range.

Vibration and pulsation reduction is already by itself a great contribution to noise level decrease, but additional and satisfying results have been reached because of valves development.

6. TESTS AND QUALITY CONTROL: this compressor range has been designed in accordance with international norms such as UL 984, CEI 61-1, CEI 61-18 - CENELEC HD 277 SI.

SERIE

H



GAMMA H

I compressori H nascono per essere ancora più adatti alle caratteristiche dei nuovi refrigeranti ed alle esigenze di mercato.

La tendenza storica che portava alla scelta di compressori capaci di fornire elevate rese frigorifere, mettendo in secondo piano gli aspetti legati al rendimento, sembra essersi invertita; per questo motivo DORIN presenta una nuova serie di compressori, da affiancare alla collaudata ed apprezzata serie K, di cui riprende in maniera sostanziale gli ingombri ed i pesi. Le principali caratteristiche dei compressori H sono:

- Elevati valori di C.O.P.
- Livelli di rumorosità estremamente contenuti
- Riduzione dei fenomeni vibratori
- Riduzione delle pulsazioni di pressione del gas
- Possibilità di azionamento a frequenza variabile
- Scatola attacchi elettrici mod. IP55
- Protezione termica del motore tramite termistori
- Possibilità di funzionamento in parallelo

Le migliori citate sono divenute possibili grazie all'impiego di una nuova piastra valvole ed un nuovo posizionamento del rubinetto di mandata; di conseguenza le perdite di carico nei compressori H sono estremamente ridotte.

CAMPI D'IMPIEGO

I campi d'impiego all'interno dei quali il compressore può operare sono schematizzati brevemente nella seguente figura.

RANGE H

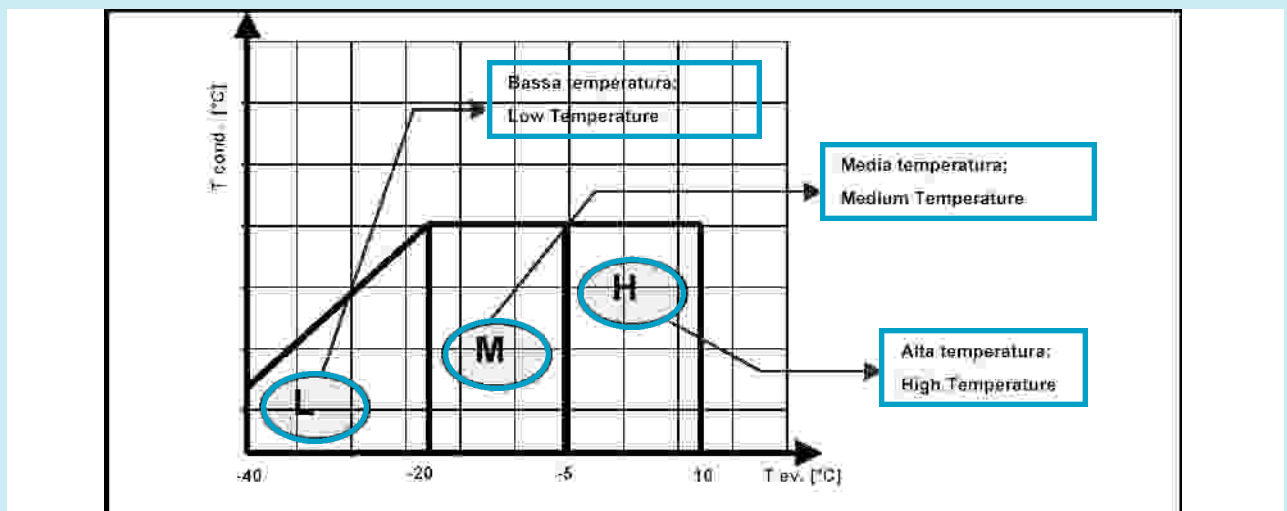
H compressors were created to be even more compatible with the characteristics of the new refrigerants and the demands of the market. The historical trend which led to the choice of compressors with high refrigerating capacity, neglecting the aspects related to the efficiency, seems to be completely changed; that's why DORIN presents a new range of compressors, which sits alongside the long tested and long admired range K, from which it substantially takes the shape and the weight. The main characteristics of these compressors are:

- High C.O.P. values
- Extremely low noise level
- Extremely low vibration phenomena
- Extremely low gas pulsation
- Variable frequency drive compatible
- IP55 Electric wiring box
- Internal thermistors motor protection
- Fittings for parallel connections.

These improvements are achieved due to the new valve plates and due to the new position of the discharge valve: these characteristics drastically reduce the pressure drops in the H compressors.

OPERATIONAL FIELDS

The operational fields of the compressors are briefly and schematically reported in the following figure.



Riportiamo di seguito gli accessori disponibili su richiesta per i compressori H.

- Resistenza carter
- Ventilatore su testa
- Raffreddamento della testata ad acqua
- Sistema di iniezione di liquido (DTC solo su H2)
- Modulo elettronico per termistori

Here follow the list of optional spare parts available for H compressors.

- Crankcase heater
- Head fan
- Water head cooling
- Liquid injection system (DTC H2 only)
- Electronic module for thermistors

H1



I modelli compresi nelle potenze da 0,5 a 3,5 HP, sono tutti a 2 cilindri in linea con volume spostato variabile da 2,89 a 12,17 m³/h. La lubrificazione è a sbattimento.

Models between 0,5 an 3,5 HP are all with 2 cylinders in line with variable displaced volume from 2,89 to 12,17 m³/h. Slinger disc lubrication.

Les modèles de 0,5 à 2 CV sont tous du type à 2 cylindres en ligne. Leur volume balayé va de 2,89 à 12,17 m³/h. La lubrification est effectuée par centrifugation.

Bei den Modellen mit einer Leistung zwischen 0,5 und 3,5 PS handelt es sich um 2 Zylinder-Reihenmodelle mit einem Volumen das zwischen 2,89 und 12,17 m³/Stunde variiert. Für die Schmierung wird das Spritzschmiersystem angewandt.

H2



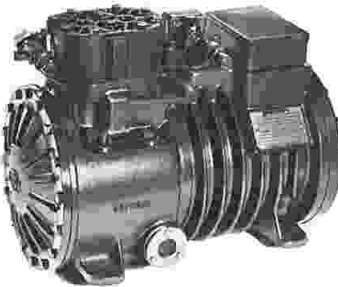
I modelli compresi nelle potenze da 3,6 a 4 HP, sono tutti a 2 cilindri in linea con volume spostato variabile da 14,74 a 23,31 m³/h. La lubrificazione è a sbattimento.

Models between 3,5 an 4 HP are all with 2 cylinders in line with variable displaced volume from 14,74 to 23,31 m³/h. Slinger disc lubrication.

Les modèles de 3,5 à 4 CV sont tous à 2 cylindres en ligne. Leur volume balayé va de 14,74 à 23,31 m³/h. La lubrification est effectuée par centrifugation.

Bei den Modellèn mit einer Leistung von 3,5 bis 4 PS handelt es sich um 2 Zylinder-Reihenmodelle mit einem Volumen, das zwischen 14,74 und 23,31 m³/Stunde variiert. Für die Schmierung wird das Spritzschmiersystem angewandt.

K3



I modelli da 4 - 5 - 7,5 HP sono tutti a 2 cilindri in linea con volume spostato variabile da 16,76 a 26,50 m³/h. La lubrificazione è a sbattimento.

Models 4 - 5 - 7,5 HP are all with 2 cylinders in line with variable displaced volume from 16,76 to 26,50 m³/h. Slinger disc lubrication.

Les modèles de 4 - 5 - 7,5 CV sont tous à 2 cylindres en ligne. Leur volume balayé va de 16,76 à 26,50 m³/h. La lubrification est effectuée par centrifugation.

Bei den Modellèn mit einer Leistung von 4 - 5- 7,5 PS handelt es sich um 2 Zylinder-Reihenmodelle mit einem Volumen, das zwischen 16,76 und 26,50 m³/Stunde variiert. Für die Schmierung wird das Spritzschmiersystem angewandt.

K4



I modelli compresi nelle potenze da 7,5 a 15 HP sono tutti a 4 cilindri a V con volume spostato variabile da 32,54 a 48,80 m³/h. La lubrificazione è a sbattimento.

Models between 7,5 and 15 HP are all with 4 cylinders in V formation with variable displaced volume from 32,54 to 48,80 m³/h. Slinger disc lubrication.

Les modèles de 7,5 a 15 CV sont tous du type à 4 cylindres en V. Leur volume balayé va de 32,54 à 48,80 m³/h. La lubrification est effectuée par centrifugation.

Bei den Modellèn mit einer Leistung von 7,5 bis 15 PS handelt es sich um Modelle mit 4 Zylinder in V-Form mit einem Volumen, das zwischen 32,54 und 48,80 m³/Stunde variiert. Für die Schmierung wird das Spritzschmiersystem angewandt.

K5



I modelli compresi nella gamma da 15 a 30 HP sono tutti a 6 cilindri a V con collettore esterno dei gas di scarico. Il volume spostato varia da 57,9 a 83,9 m³/h. La lubrificazione è con pompa reversibile e autopescante.

Models between 15 and 30 HP are all at 6 cylinders in V formation with external discharge muffler fitted. The displaced volume varies from 57,9 to 83,9 m³/h. Lubrification is with self priming reversible pump.

Les modèles de types 15 à 30 CV sont du type à 6 cylindres en V, avec collecteur externe de re-foulement. Leur volume balayé va de 57,9 à 83,9 m³/h. La lubrification est assurée par pompe réversible autoamorçante.

Alle Modelle der Serie zwischen 15 und 30 PS haben 6 Zylinder in V-Form mit externen Abgaskollektoren. Das Volumen variiert zwischen 57,9 und 83,9 m³/Stunde. Die Schmierung erfolgt mittels Umkehrpumpe.

K6



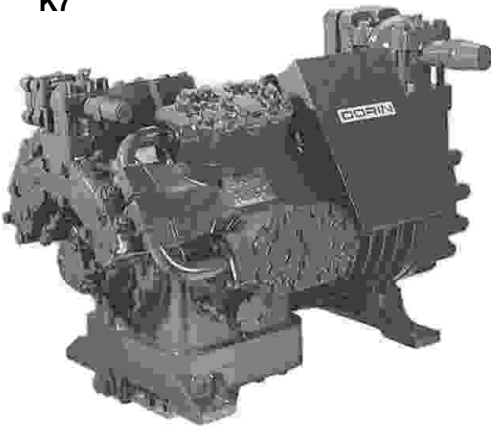
I modelli compresi nella gamma da 25 a 45 HP sono tutti a 6 cilindri a V con collettore esterno dei gas di scarico. Il volume spostato varia da 110,6 a 138,3 m³/h. La lubrificazione è con pompa reversibile e autopescante.

Models between 25 and 45 HP are all with 6 cylinders in V formation with external discharge muffler. Displaced volume varies between 110,6 and 138,3 m³/h. Lubrication is with self priming reversible pump.

Les modèles des types 25 à 45 CV sont tous du type à 6 cylindres en V, avec collecteur externe de refoulement. Le volume balayé va de 110,6 à 138,3 m³/h. La lubrification est assurée par pompe réversible autoamorçante.

Alle Modelle der Serie zwischen 25 und 45 PS haben 6 Zylinder in V-Form mit externen Abgaskollektoren. Das Volumen variiert zwischen 110,6 und 138,3 m³/Stunde. Die Schmierung erfolgt mittels Umkehrpumpe.

K7



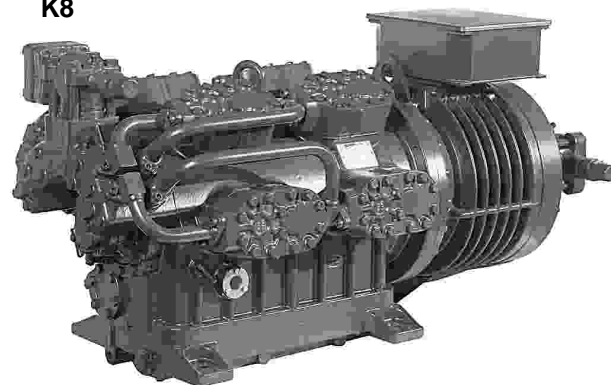
I modelli compresi nella gamma da 40 a 75 HP sono tutti a 8 cilindri a V con collettore esterno dei gas di scarico. Il volume spostato varia da 153,7 a 199,8 m³/h. La lubrificazione è con pompa reversibile e autopescante.

Models between 40 and 75 HP are all with 8 cylinders in V formation with external discharge muffler. Displaced volume varies between 153,7 and 199,8 m³/h. Lubrication is with self priming reversible pump.

Les modèles des types 40 à 75 CV sont tous du type à 8 cylindres en V, avec collecteur externe de refoulement. Le volume balayé va de 153,7 à 199,8 m³/h. La lubrification est assurée par pompe réversible autoamorçante.

Alle Modelle der Serie zwischen 40 und 75 PS haben 8 Zylinder in V-Form mit externen Abgaskollektoren. Das Volumen variiert zwischen 153,7 und 199,8 m³/Stunde. Die Schmierung erfolgt mittels Umkehrpumpe.

K8



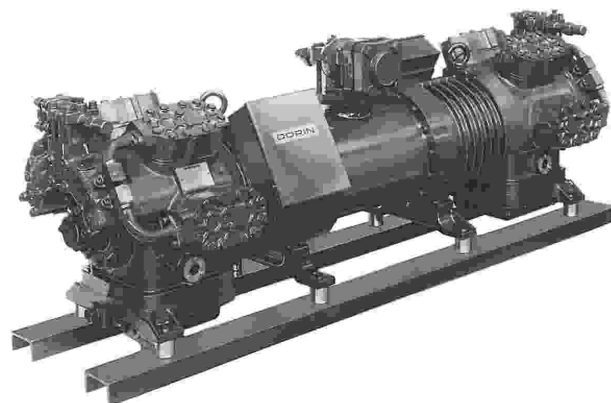
I Modelli compresi nella gamma da 130 HP sono a 10- 12 - 14 -16 cilindri a V con collettore esterno dei gas di scarico. Il volume spostato varia da 249,82 a 399,72 m³/h. La lubrificazione è con pompa reversibile e autopescante.

The models included in the 130 HP range are, 10, 12, 14, 16 V cylinders with external exhaust collector. The displaced volume varies from 249,82 to 399,72 m³/h. The lubrication is with self priming reversible pump.

Les modèles faisant partie de la gamme à partir de 130HP ont 10 12 14 ou 16 cylindres en V avec collecteur externe des gaz de refoulement. Le volume déplacé varie de 249.82 à 399.72 m³/h. La lubrification se fait par pompe réversible et auto-aspirante

Die Modelle der 130-PS-Baureihe haben 10, 12, 14, 16 Zylinder in V-Anordnung mit externem Druckgas-Sammler. Der Hubvolumenbereich erstreckt sich von 249,82 bis 399,72 m³/h. Die Schmierung erfolgt über eine selbstaugende drehrichtungsunabhängige Pumpe.

TK4 ÷ TK7



I modelli in tandem compresi nella gamma da 15 a 150 HP sono composti da 2 compressori accoppiati e collegati a un unico basamento. Il volume spostato varia da 65,08 a 399,6 m³/h.

Tandem models between 15 and 150 HP are composed of 2 coupled compressors and connected to a single base. The displaced volume varies from 65,08 and 399,6 m³/h.

Les modèles tandem dans la gamme de 15 à 150 CV sont constitués de 2 compresseurs accouplés par l'aspiration sur une seule base. Le volume balayé va de 65,08 à 399,6 m³/h.

Die tandemmodelle der Serie zwischen 15 und 150 PS bestehen aus zwei gekuppelten Kompressoren, die mit einem einzigen Gehäuse verbunden sind. Das Volumen variiert zwischen 65,08 und 399,6 m³/Stunde.

CARATTERISTICHE TECNICHE
TECHNICAL CHARACTERISTICS
CARATTERISTIQUES TECHNIQUES
TECHNISCHE CHARAKTERISTIKEN

ACCESSORI
ACCESSOIRES
ACCESSOIRES
ZUBEHÖRTEILE


Serie Range Serie Reihe	Modello Model Modele Modell	Cilind. Cylind. Cylind. Zylind.	Volume spost. Displacem. Volume bal. m³/h		TE	DPS	INT 69	CPM	CH	CR	BF	WH	US	DTC	OP	OL
			n.	50 Hz												
H1	H 40 CS	2	2,89	3,47	★	○	○	○	○	○	○	○	○	○	○	○
	H 50 CS	2	3,86	4,63	★	○	○	○	○	○	○	○	○	○	○	○
	H 75 CC	2	3,86	4,63	★	○	○	○	○	○	○	○	○	○	○	○
	H 75 CS	2	5,30	6,36	★	○	○	○	○	○	○	○	○	○	○	○
	H 100 CC	2	5,30	6,36	★	○	○	○	○	○	○	○	○	○	○	○
	H 100 CS	2	6,75	8,10	★	○	○	○	○	○	○	○	○	○	○	○
	H 150 CC	2	6,75	8,10	★	○	○	○	○	○	○	○	○	○	○	○
	H 150 CS	2	7,71	9,25	★	○	○	○	○	○	○	○	○	○	○	○
	H 180 CC	2	7,71	9,25	★	○	○	○	○	○	○	○	○	○	○	○
	H 180 CS	2	8,47	10,16	★	○	○	○	○	○	○	○	○	○	○	○
	H 200 CC	2	8,47	10,16	★	○	○	○	○	○	○	○	○	○	○	○
	H 200 CS	2	9,88	11,86	★	○	○	○	○	○	○	○	○	○	○	○
	H 220 CC	2	9,88	11,86	★	○	○	○	○	○	○	○	○	○	○	○
	H 220 CS	2	10,85	13,02	★	○	○	○	○	○	○	○	○	○	○	○
H 250 CC	2	10,85	13,02	★	○	○	○	○	○	○	○	○	○	○	○	
H 250 CS	2	12,17	14,60	★	○	○	○	○	○	○	○	○	○	○	○	
H 280 CC	2	12,17	14,60	★	○	○	○	○	○	○	○	○	○	○	○	
H2	H 290 CS	2	14,74	17,69	★	○	○	○	○	○	○	○	○	○	○	○
	H 300 CC	2	14,74	17,69	★	○	○	○	○	○	○	○	○	○	○	○
	H 300 CS	2	15,94	19,13	★	○	○	○	○	○	○	○	○	○	○	○
	H 350 CC	2	15,94	19,13	★	○	○	○	○	○	○	○	○	○	○	○
	H 350 SB	2	17,53	21,04	★	○	○	○	○	○	○	○	○	○	○	○
	H 380 CC	2	17,53	21,04	★	○	○	○	○	○	○	○	○	○	○	○
	H 380 SB	2	19,53	23,44	★	○	○	○	○	○	○	○	○	○	○	○
	H 390 CS	2	19,53	23,44	★	○	○	○	○	○	○	○	○	○	○	○
	H 392 CS	2	23,31	27,97	★	○	○	○	○	○	○	○	○	○	○	○
K3	K 400 CC	2	16,76	20,11	★	○	○	○	○	○	○	○	○	+	○	○
	K 400 CS	2	19,30	23,16	★	○	○	○	○	○	○	○	○	+	○	○
	K 470 CC	2	19,30	23,16	★	○	○	○	○	○	○	○	○	+	○	○
	K 470 CS	2	23,37	28,04	★	○	○	○	○	○	○	○	○	+	○	○
	K 500 CC	2	23,37	28,04	★	○	○	○	○	○	○	○	○	+	○	○
	K 500 SB	2	26,50	31,80	★	○	○	○	○	○	○	○	○	+	○	○
	K 500 CS	2	26,50	31,80	★	○	○	○	○	○	○	○	○	+	○	○
K4	K 740 CC	2	26,50	31,80	★	○	○	○	○	○	○	○	○	+	○	○
	K 750 CC	4	32,54	39,05	★	○	○	○	○	○	○	○	○	+	○	○
	K 750 CS	4	38,64	46,37	★	○	○	○	○	○	○	○	○	+	○	○
	K 1000 CC	4	38,64	46,37	★	○	○	○	○	○	○	○	○	+	○	○
K5	K 1000 CS	4	48,80	58,56	★	○	○	○	○	○	○	○	○	+	○	○
	K 1500 CC	4	48,80	58,56	★	○	○	○	○	○	○	○	○	+	○	○
	K 1500 CS	6	57,90	69,48	★	○	★	○	○	○	○	○	○	+	○	○
	K 2000 CC	6	57,90	69,48	★	○	★	○	○	○	○	○	○	+	○	○
	K 1500 CB	6	73,20	87,84	★	○	★	○	○	○	○	○	○	+	○	○
	K 2500 CC	6	73,20	87,84	★	○	★	○	○	○	○	○	○	+	○	○
K6	K 2500 CB	6	83,90	100,68	★	○	★	○	○	○	○	○	○	+	○	○
	K 3000 CC	6	83,90	100,68	★	○	★	○	○	○	○	○	○	+	○	○
	K 3000 CS	6	110,6	132,72	★	○	★	○	○	○	○	○	○	+	○	○
	K 3500 CC	6	110,6	132,72	★	○	★	○	○	○	○	○	○	+	○	○
	K 3000 CB	6	126,7	152,04	★	○	★	○	○	○	○	○	○	+	○	○
	K 4000 CC	6	126,7	152,04	★	○	★	○	○	○	○	○	○	+	○	○
K7	K 4500 CS	6	138,3	165,96	★	○	★	○	○	○	○	○	○	+	○	○
	K 4700 CS	8	153,7	184,44	★	○	★	○	○	○	○	○	○	+	○	○
	K 5000 CC	8	153,7	184,44	★	○	★	○	○	○	○	○	○	+	○	○
	K 5500 CC	8	169,1	202,92	★	○	★	○	○	○	○	○	○	+	○	○
	K 5000 CS	8	184,4	221,26	★	○	★	○	○	○	○	○	○	+	○	○
	K 6000 CC	8	184,4	221,26	★	○	★	○	○	○	○	○	○	+	○	○
	K 6000 CS	8	199,8	239,76	★	○	★	○	○	○	○	○	○	+	○	○
K 7500 CC	8	199,8	239,76	★	○	★	○	○	○	○	○	○	+	○	○	


TE = Prot. a Termistori
 Thermistor Prot.
 Protect. par therm.
 Thermistorenschutz


DPS = Sensore pressostato differenziale
 Oil differential pressure sensor
 Capteur de pression différentielle d'huile
 Öldruck sensor


INT 69 = Mod. elettronico
 Elect. module
 Declencheur élect.
 Auslösegerät


CPM = Modulo protezione compressore
 Compressor protection module
 Module de protection du compresseur
 Kompressor schutzmodul


 CH = Resistenza carter
 Crankcase Heater
 Résistance carter
 Ölsumpfheizung

 CR = Regolatore di potenza
 Capacity control system
 Régulateur de puissance
 Leistungsregler


 BF = Ventilazione
 raffreddamento
 ausiliaria
 Body cooling fan
 Ventilation pour
 refroidir auxiliaire
 Zylinderkopfkühlung

 WH = Raffreddamento
 della testata con acqua
 Water cooled head
 Tête refroidie à eau
 Wasserkühlung des
 Zylinderkopfes

 US = Partenza a vuoto
 By-pass system
 Démarrage à vide
 Anlaufentlastung

 C = Iniezione di liquido
 Liquid injection
 Injection de liquid
 Flüssigkeitseinspritzung

O.P. = Pressostato differenziale olio
 Oil differ. press.switch
 Pressostat différentiel huile
 Öldruckschalter

 OL = Regolatore livello olio
 Oil level Float valve
 Régulateur de niveau
 d'huile
 Ölstandsregelung

★ Accessori di normale fornitura
 Standard supply
 Accessoires livrés normalement
 Zubehörteile für standard
 Auslieferung

+ Predisposto
 Arranged
 Predispose
 Vorbereitet



Modello Model Modele Modell	220-240 380-420 3-50	380- 420 3-50	220-240 1-50	380-420 3 50 P.W.S.	220-380 3-60	220-1 60	380 3-60	380-420 3 60 P.W.S.	50 Hz		60 Hz	
									▲	■	▲	■
									FLA Amp. 380 V.	LRA Amp. 380 V.	FLA Amp. 380 V.	LRA Amp. 380 V.
H 40 CC	●		○		○	○			1,8	9	2,2	10,8
H 50 CS	●		○		○	○			1,8	9	2,2	10,8
H 75 CC	●		○		○	○			2,4	11,1	2,9	13,3
H 75 CS	●		○		○	○			3,4	11,1	2,9	13,3
H 100 CC	●		○		○	○			2,9	13,8	3,5	16,6
H 100 CS	●		○		○	○			2,9	13,8	3,5	16,6
H 150 CC	●		○		○	○			3,4	15,6	4,08	18,72
H 150 CS	●		○		○	○			3,4	15,6	4,08	18,72
H 180 CC	●		○		○	○			4,4	20	5,28	24
H 180 CS	●		○		○	○			4,4	20	5,28	24
H 200 CC	●		○		○	○			6	24,4	7,2	29,28
H 200 CS	●				○				4,4	20	5,28	24
H 220 CC	●				○				6	24,4	7,2	29,28
H 220 CS	●				○				6	24,4	7,2	29,28
H 250 CC	●				○				6,8	28	8,16	33,4
H 250 CS	●				○				6	24,4	7,2	29,29
H 280 CC	●				○				6,8	28	8,16	33,6
H 290 CS					○				7,5	34,1	9,0	41,0
H 300 CC	●				○				9,4	43,6	11,3	52,3
H 300 CS	●				○				7,5	34,1	9,0	41,0
H 350 CC	●				○				9,4	43,6	11,3	52,3
H 350 SB	●				○				7,5	34,1	9,0	41,0
H 380 CC	●				○				9,4	43,6	11,3	52,3
H 380 SB	●				○				7,5	34,1	9,0	41,0
H 390 CS	●				○				9,4	43,6	11,3	52,3
H 392 CS	●				○				11,5	53,7	13,8	64,5
K 400 CC	●	○			○		○		8,7	51,6	10,4	61,9
K 400 CS	●	○			○		○		8,7	51,6	10,4	61,9
K 470 CC	●	○			○		○		10,2	53	12,2	63,6
K 470 CS	●	○			○		○		10,2	53	12,2	63,6
K 500 CC	●	○			○		○		17	90	20,4	86,4
K 500 SB	●	○			○		○		10,2	53	12,2	63,6
K 500 CS	●	○			○		○		17	90	20,4	86,4
K 740 CC	●	○			○		○		17	90	20,4	86,4
K 750 CC	●	○		○	○		○		17	82	20,4	98,4
K 750 CS	●	○		○	○		○		17	82	20,4	98,4
K1000 CC		●		○			○	○	20	100	24	120
K1000 CS		●		○			○	○	30	114	33,5	136,8
K 1500 CC		●		○			○	○	30	114	33,5	136,8
K 1500 CS		○		●			○	○	34	147	40,8	176,4
K 2000 CC		○		●			○	○	34	147	40,8	176,4
K 1500 CB		○		●			○	○	48	172	57,6	206,4
K 2500 CC		○		●			○	○	48	172	57,6	206,4
K 2500 CB		○		●			○	○	48	172	57,6	206,4
K 3000 CC		○		●			○	○	56	190	67,2	283,2
K 3000 CS				●			○		56	190	67,2	283,2
K 3500 CC				●			○		72	230	86,4	276
K 3000 CB				●			○		56	190	67,2	283,2
K 4000 CC				●			○		84	323	100,8	387,6
K 4500 CS				●			○		84	323	100,8	387,6
K 4700 CS				●			○		90	395	108	474
K 5000 CC				●			○		115	465	138	558
K 5500 CC				●			○		120	465	138	558
K 5000 CS				●			○		115	465	138	558
K 6000 CC				●			○		130	465	156	558
K 6000 CS				●			○		130	465	156	558
K 7500 CC				●			○		148	628	178	754

Note
Annotations
Notes
Bemerkungen

● Tensioni di normale fornitura
Standard supply
Tension standard
Spannungen für normale
Auslieferung

○ Su richiesta
Optional
Sur demande
Auf Wunsch

▲ FLA
Massima corrente di
funzionamento
Max. operating current
intensité maxi. de
fonctionnement
Max Betriebsstrom

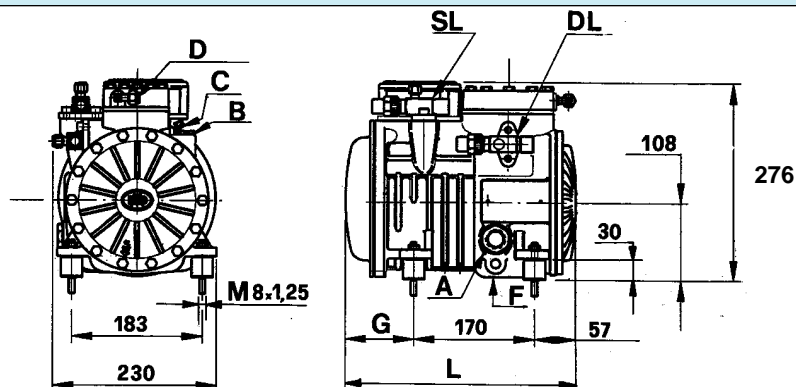
■ LRA
Corrente a rotore bloccato
Locked rotor current
Courant rotor bloqué
Anlaufstrom

- Tolleranza sulle tensioni:
- Voltage tolerance:
- Tolérance sur la tension:
- Zulässige Spannungtoleranz:

± 10%

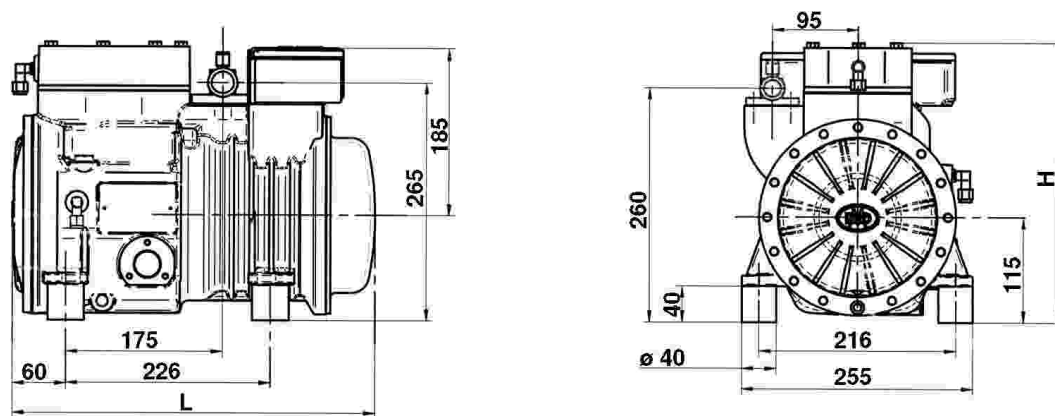
INGOMBRI - OVERALL DIMENSIONS - ENCOMBREMENTS - ABMESSUNGEN

H1



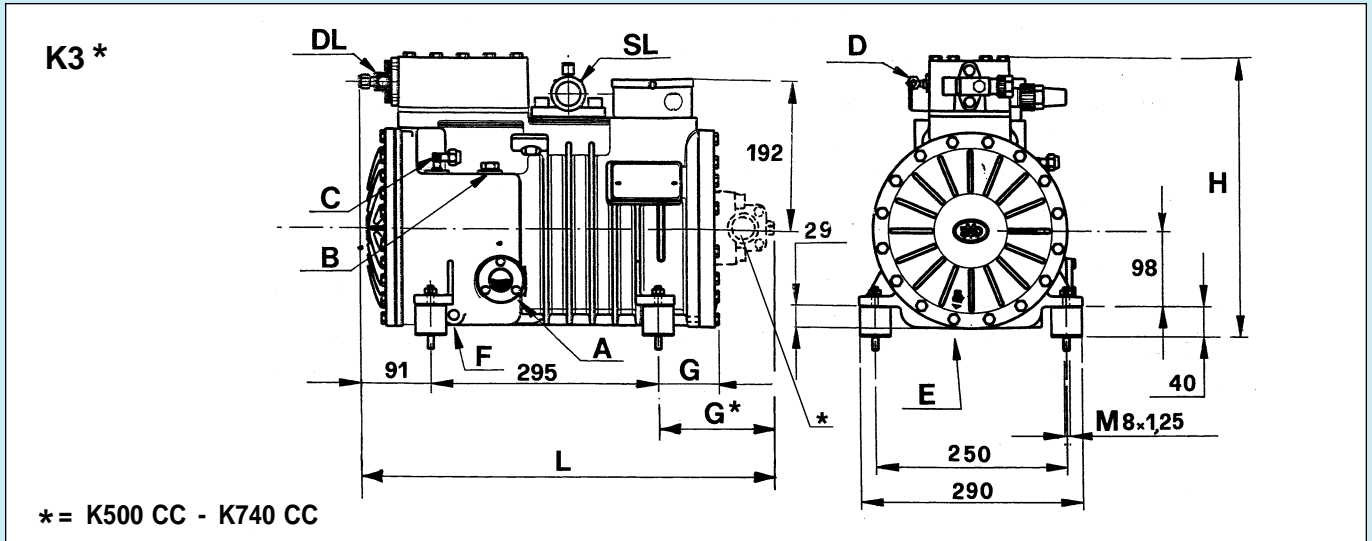
Modello Model Modele Modell	G	L	Rub. aspir. Suct.valve Vanne aspir. Sauventif SL	Rub. scarico Disc.valve Vanne refolement Druckventil DL	Carica olio Oil charge Charge Huile Öfüllung Kg.	Peso netto Netweight Poids net Nettogewicht Kg.	Note
H 40 CC	83	310	12s	12s	1.0	32	
H 50 CS	83	310	12s	12s	1.0	33	
H 75 CC	83	310	12s	12s	1.0	34	
H 75 CS	83	310	16s	12s	1.0	34	
H 100 CC	83	310	16s	12s	1.0	35	
H 100 CS	98	310	16s	12s	1.0	35	
H 150 CC	98	310	16s	12s	1.0	37	
H 150 CS	98	310	16s	12s	1.0	37	
H 180 CC	98	310	16s	12s	1.0	38	
H 180 CS	98	310	16s	12s	1.0	38	
H 200 CC	113	325	16s	12s	1.0	40	
H 200 CS	98	310	18s	12s	1.0	38	
H 220 CC	113	325	18s	16s	1.0	40	
H 220 CS	113	325	18s	16s	1.0	40	
H 250 CC	98	340	18s	16s	1.0	42	
H 250 CS	128	325	18s	16s	1.0	40	
H 280 CC	128	340	18s	16s	1.0	42	

H2

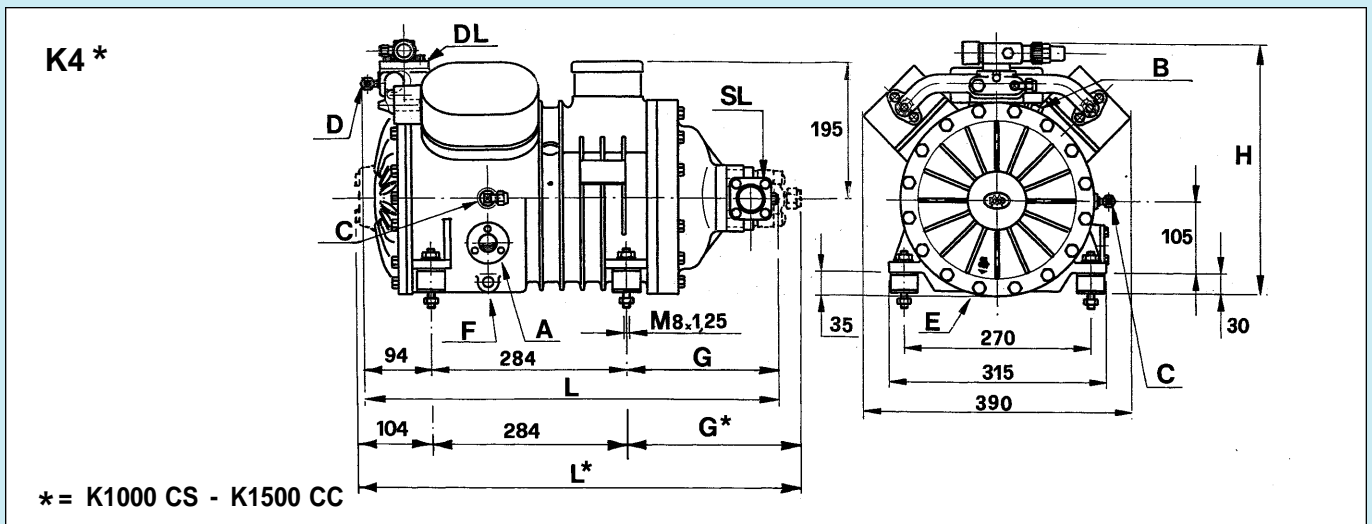


Modello Model Modele Modell	H	L	Rub. aspir. Suct.valve Vanne aspir. Sauventif SL	Rub. scarico Disc.valve Vanne refolement Druckventil DL	Carica olio Oil charge Charge Huile Öfüllung Kg.	Peso netto Netweight Poids net Nettogewicht Kg.	Note
H 290 CS	310	400	22s	16s	1.4	54	
H 300 CC	310	400	22s	16s	1.4	56	
H 300 CC	310	400	28s	16s	1.4	54	
H 350 CC	310	400	28s	16s	1.4	56	
H 350 SB	310	400	28s	16s	1.4	54	
H 380 CC	310	400	28s	16s	1.4	56	
H 380 SB	310	400	28s	16s	1.4	54	
H 390 CS	310	400	28s	16s	1.4	56	
H 392 CS	310	400	28s	16s	1.4	58	

INGOMBRI - OVERALL DIMENSIONS - ENCOMBREMENTS - ABMESSUNGEN



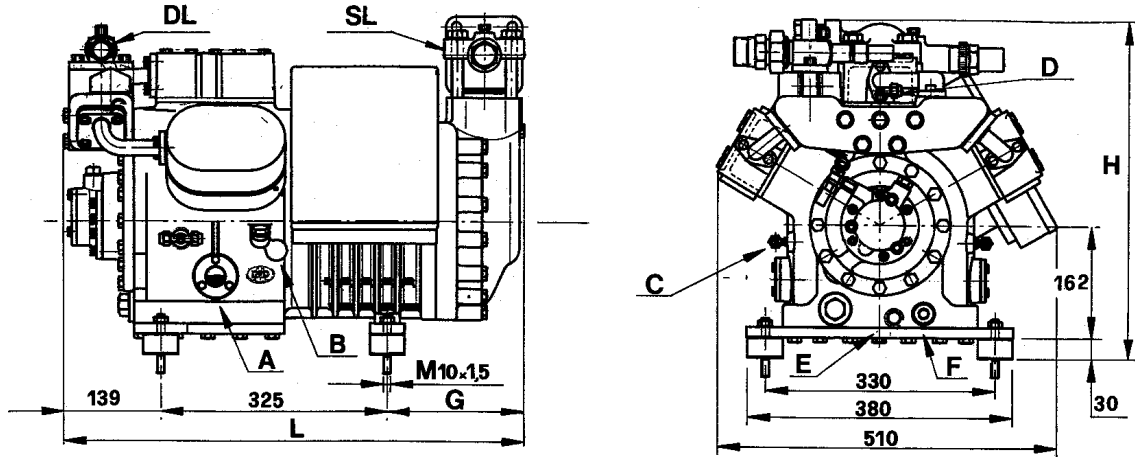
Modello Model Modelle Modell	G	H	L	Rub. aspir. Suct.valve Vanne aspir. Sauventif SL	Rub. scarico Disc.valve Vanne refoulement Druckventil DL	Carica olio Oil charge Charge Huile Ölfüllung Kg.	Peso netto Netweight Poids net Nettogewicht Kg.
K 400 CC	79	365	465	28s	16s	2.0	84
K 400 CS	79	365	465	28s	16s	2.0	84
K 470 CC	79	365	465	28s	16s	2.0	87
K 470 CS	79	365	465	28s	16s	2.0	87
K 500 CC *	154	365	540	28s	16s	2.0	88
K 500 SB	79	365	465	35s	16s	2.0	87
K 500 CS	79	365	465	35s	16s	2.0	88
K 740 CC *	154	365	540	35s	18s	2.0	88



Modello Model Modelle Modell	G	H	L	Rub. aspir. Suct.valve Vanne aspir. Sauventif SL	Rub. scarico Disc.valve Vanne refoulement Druckventil DL	Carica olio Oil charge Charge Huile Ölfüllung Kg.	Peso netto Netweight Poids net Nettogewicht Kg.
K 750 CC	222	362	600	35s	22s	2.5	113
K 750 CS	222	362	600	35s	22s	2.5	113
K 1000 CC	222	362	600	35s	28s	2.5	118
K 1000 CS *	252	362	640	42s	28s	2.5	120
K 1500 CC *	252	362	640	42s	28s	2.5	120

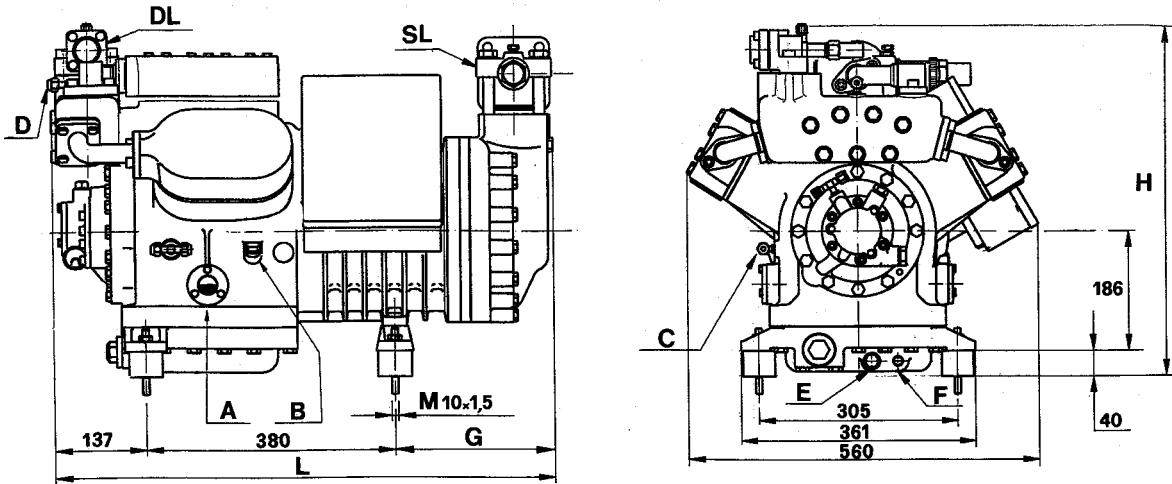
- | | | | |
|---------------------------|-------------------------|-------------------------|-----------------------|
| A Spia Olio | Oil Sight | Voyant d'huile | Oelschauglas |
| B Tappo carica Olio | Oil charge plug | Bouchon huile | Oelfuellschraube |
| C Presa Bassa Press. | Low pressure tap | Prise basse pression | Anschluss Niederdruck |
| D Presa Alta Press. | High pressure tap | Prise haute pression | Anschluss Hochdruck |
| E Tappo scarica olio | Oil drain plug | Bouchon de vid. d'huile | Oelablass Schraube |
| F Resistenza carter | Crankcase heater | Resistance carter | Oelsumpheizung |
| DL Rubinetto Compressione | Discharge service valve | Vanne de refoulement | Druckabsperventil |
| SL Rubinetto Aspirazione | Suction service valve | Vanne aspiration | Saugabsperventil |

K5



Modello Model Modelle Modell	G	H	L	Rub. aspir. Suct.valve Vanne aspir. Sauventif SL	Rub. scarico Disc.valve Vanne refoulement Druckventil DL	Carica olio Oil charge Charge Huile Ölfüllung Kg.	Peso netto Netweight Poids net Nettogewicht Kg.
K 1500 CS	196	485	660	42s	28s	3.5	173
K 2000 CC	196	485	660	42s	28s	3.5	173
K 1500 CB	196	485	660	42s	28s	3.5	173
K 2500 CC	196	485	660	42s	28s	3.5	173
K 2500 CB	196	485	660	54s	35s	3.5	173
K 3000 CC	196	485	660	54s	35s	3.5	182

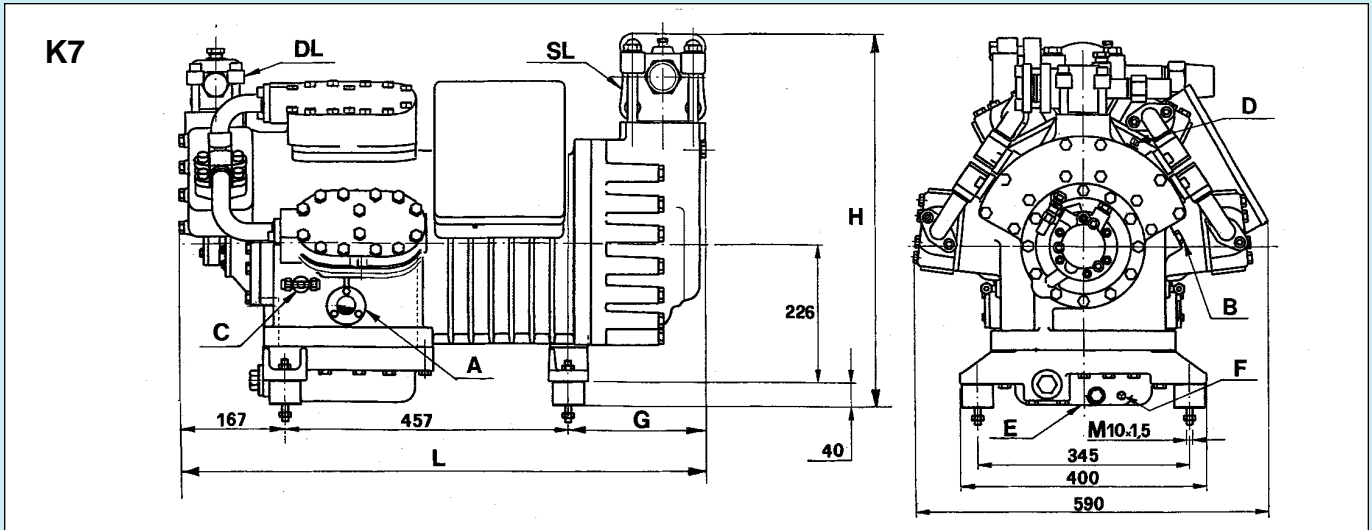
K6



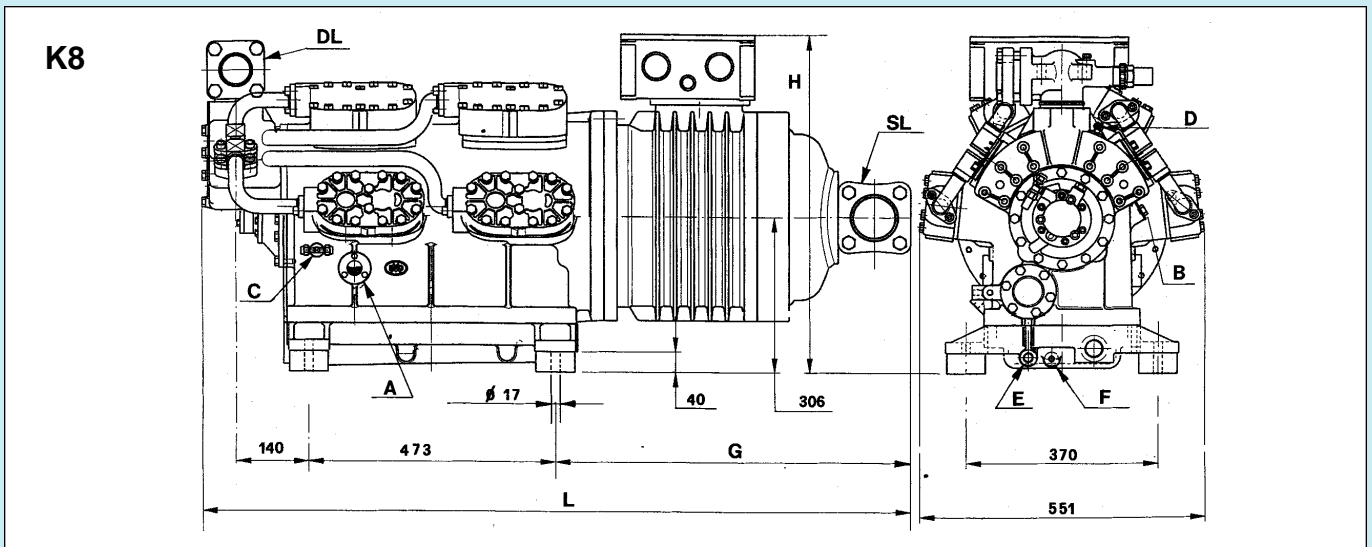
Modello Model Modelle Modell	G	H	L	Rub. aspir. Suct.valve Vanne aspir. Sauventif SL	Rub. scarico Disc.valve Vanne refoulement Druckventil DL	Carica olio Oil charge Charge Huile Ölfüllung Kg.	Peso netto Netweight Poids net Nettogewicht Kg.
K 3000 CS	244	535	760	54s	35s	6.5	228
K 3500 CC	244	535	760	54s	35s	6.5	233
K 3000 CB	244	535	760	54s	35s	6.5	228
K 4000 CC	244	535	760	54s	35s	6.5	233
K 4500 CS	244	535	760	54s	35s	6.5	239

A	Spia Olio	Oil Sight	Voyant d'huile	Oelschauglas
B	Tappo carica Olio	Oil charge plug	Bouchon huile	Oelfuelschraube
C	Presa Bassa Press.	Low pressure tap	Prise basse pression	Anschluss Niederdruck
D	Presa Alta Press.	High pressure tap	Prise haute pression	Anschluss Hochdruck
E	Tappo scarica olio	Oil drain plug	Bouchon de vid. d'huile	Oelablass Schraube
F	Resistenza carter	Crankcase heater	Resistance carter	Oelsumpfheizung
DL	Rubinetto Compressione	Discharge service valve	Vanne de refoulement	Druckabsperrenil
SL	Rubinetto Aspirazione	Suction service valve	Vanne aspiration	Saugabsperrenil

INGOMBRI - OVERALL DIMENSIONS - ENCOMBREMENTS - ABMESSUNGEN



Modello Model Modele Modell	G	H	L	Rub. aspir. Suct.valve Vanne aspir. Sauventif SL	Rub. scarico Disc.valve Vanne refolement Druckventil DL	Carica olio Oil charge Charge Huile Öfüllung Kg.	Peso netto Netweight Poids net Nettogewicht Kg.
K 4700 CS	222	605	846	66s	42s	8.5	335
K 5000 CC	222	605	846	66s	42s	8.5	335
K 5500 CC	222	605	846	66s	42s	8.5	335
K 5000 CS	222	605	846	80s	42s	8.5	340
K 6000 CC	222	605	846	80s	42s	8.5	345
K 6000 CS	222	605	846	80s	42s	8.5	345
K 7500 CC	222	605	846	80s	42s	8.5	345



Modello Model Modele Modell	G	H	L	Rub. aspir. Suct.valve Vanne aspir. Sauventif SL	Rub. scarico Disc.valve Vanne refolement Druckventil DL	Carica olio Oil charge Charge Huile Öfüllung Kg.	Peso netto Netweight Poids net Nettogewicht Kg.
K 10000 CC	752	660	1365	80s	54s	21	570
K 11000 CC	752	660	1365	80s	54s	21	580
K 13000 CC	752	660	1365	80s	54s	21	590
K 15000 CC	752	660	1365	80s	54s	21	600

- | | | | |
|---------------------------|-------------------------|-------------------------|-----------------------|
| A Spia Olio | Oil Sight | Voyant d'huile | Oelschauglas |
| B Tappo carica Olio | Oil charge plug | Bouchon huile | Oelfuellschraube |
| C Presa Bassa Press. | Low pressure tap | Prise basse pression | Anschluss Niederdruck |
| D Presa Alta Press. | High pressure tap | Prise haute pression | Anschluss Hochdruck |
| E Tappo scarica olio | Oil drain plug | Bouchon de vid. d'huile | Oelablass Schraube |
| F Resistenza carter | Crankcase heater | Resistance carter | Oelsumpheizung |
| DL Rubinetto Compressione | Discharge service valve | Vanne de refolement | Druckabsperventil |
| SL Rubinetto Aspirazione | Suction service valve | Vanne aspiration | Saugabsperventil |

CAPACITÀ FRIGORIFERA
REFRIGERATING CAPACITY

PUISSANCE FRIGORIFIQUE
KÄLTELEISTUNG

R134a Watt

Modello Model Modele Modell	Temp. cond. Cond. temp. Temp. de cond. Kond. temp. °C	Temperature Evapor. - Evaporating temper. - temp. evapor. - Verdampfungstemp. °C							
		C				S			B
		+10	+5°	0°	-5°	* -10°	-15°	-20°	
H 40 CC	+35°	2184	1792	1453	1162	913	702	525	
	+45°	1917	1568	1266	1008	787	599	440	
H 50 CS	+35°	3131	2562	2069	1645	1284	977	719	
	+45°	2747	2240	1802	1425	1104	832	601	
H 75 CC	+35°	3131	2562	2069	1645	1284	977	719	
	+45°	2747	2240	1802	1425	1104	832	601	
H 75 CS	+35°	4292	3544	2896	2338	1863	1460	1121	
	+45°	3765	3098	2523	2028	1606	1248	945	
H 100 CC	+35°	4292	3544	2896	2338	1863	1460	1121	
	+45°	3765	3098	2523	2028	1606	1248	945	
H 100 CS	+35°	4770	3966	3284	2631	2105	1659	1283	
	+45°	4430	3697	3021	2441	1945	1524	1167	
H 150 CC	+35°	4770	3966	3248	2631	2105	1659	1283	
	+45°	4430	3697	3021	2441	1945	1524	1167	
H 150 CS	+35°	5820	4833	3947	3186	2537	1987	1523	
	+45°	5240	4330	3531	2846	2262	1765	1344	
H 180 CC	+35°	5820	4833	3947	3186	2537	1987	1523	
	+45°	5240	4330	3531	2846	2262	1765	1344	
H 180 CS	+35°	6410	5338	4346	3493	2776	2150	1631	
	+45°	5810	4836	3931	3154	2491	1928	1450	
H 200 CC	+35°	6410	5338	4346	3493	2766	2150	1631	
	+45°	5810	4836	3931	3154	2491	1928	1450	
H 200 CS	+35°	7540	6264	5111	4119	3273	2556	1952	
	+45°	6790	5624	4576	3677	2909	2257	1704	
H 220 CC	+35°	7540	6264	5111	4119	3273	2556	1952	
	+45°	6790	5624	4576	3677	2909	2257	1704	
H 220 CS	+35°	8600	7164	5849	4718	3753	2936	2249	
	+45°	7610	6249	5094	4103	3257	2539	1930	
H 250 CC	+35°	8600	7164	5849	4718	3753	2936	2249	
	+45°	7610	6249	5094	4103	3257	2539	1930	
H 250 CS	+35°	10138	8359	6818	5492	4360	3402	2596	
	+45°	8805	7245	5897	4740	3754	2916	2206	
H 280 CC	+35°	10138	8359	6818	5492	4360	3402	2596	
	+45°	8805	7245	5897	4740	3754	2916	2206	
H 290 CS	+35°	11203	9187	7445	5954	4690	3629	2745	
	+45°	9657	7885	6362	5062	3962	3037	2264	
H 300 CC	+35°	11203	9187	7445	5954	4960	3629	2745	
	+45°	9657	7885	6362	5062	3962	3037	2264	
H 300 CS	+35°	12314	10115	8209	6570	5171	3985	2985	
	+45°	10567	8651	6996	5575	4362	3330	2451	
H 350 CC	+35°	12314	10115	8209	6570	5171	3985	2985	
	+45°	10567	8651	6996	5575	4362	3330	2451	
H 350 SB	+35°	13496	11088	9005	7219	5700	4419	3349	
	+45°	11564	9480	7685	6150	4847	3746	2819	
H 380 CC	+35°	13496	11088	9005	7219	5700	4419	3349	
	+45°	11564	9480	7685	6150	4847	3746	2819	
H 380 SB	+35°	15477	12736	10360	8317	6573	5095	3848	
	+45°	13257	10888	8843	7087	5589	4313	3227	
H 390 CS	+35°	15477	12736	10360	8317	6573	5095	3848	
	+45°	13257	10888	8843	7087	5589	4313	3227	
H 392 CS	+35°	17495	14396	11711	9402	7430	5759	4350	
	+45°	14987	12309	9996	8012	6317	4875	3648	
K 400 CC	+35°	13298	11108	9150	7424	5930	4669	3640	
	+45°	11923	9863	8036	6441	5078	3948	3049	
K 400 CS	+35°	15579	12951	10651	8678	7033	5715	4725	
	+45°	13867	11409	9278	7475	5999	4851	4030	
K 470 CC	+35°	15579	12951	10651	8678	7033	5715	4725	
	+45°	13867	11409	9278	7475	5999	4851	4030	
K 470 CS	+35°	18865	15683	12898	10509	8517	6922	5723	
	+45°	16792	13815	11235	9052	7265	5875	4882	
K 500 CC	+35°	18865	15683	12898	10509	8517	6922	5723	
	+45°	16792	13815	11235	9052	7265	5875	4882	
K 500 SB	+35°	21391	17783	14624	11916	9657	7848	6488	
	+45°	19040	15665	12739	10263	8237	6661	5534	
K 500 CS	+35°	21391	17783	14624	11916	9657	7848	6488	
	+45°	19040	15665	12739	10263	8237	6661	5534	
K 740 CC	+35°	21391	17783	14624	11916	8657	7848	6488	
	+45°	19040	15665	12739	10263	8237	6661	5534	

Temp. gas aspirato
Suction gas temperature
Temp. de gas aspiré
Sauggastemperatur

+ 25°C

- Nel caso di funzionamento a 60 Hz moltiplicare la resa per 1,18
- When operating at 60 Hz, multiply the capacity for 1,18
- Dans les cas de fonctionnement à 60 Hz multiplier le rendement par 1,18
- Falls Betrieb mit 60 Hz muss man die Leistung mit 1,18 multiplizieren

- Rese frigorifere senza sottoraffreddamento del liquido.
- Capacity rating without liquid subcooling.
- Puisseance frigorifique sans sous-refroidissement du liquide.
- Kälteleistungen ohne Flüssigkeitsunterkühlung.

1 Kcal./H = 1,163 W.
1 W. = 0,860 Kcal./h
1 W. = 3,412 BTU/h

UTILIZZARE SOLO P.O.E.
USE P.O.E. ONLY
UTILISER SEULEMENT P.O.E.
NUR P.O.E. ÖLE VERWENDEN

* = Vedere pagina
See pag
Voir page
Sehen sie Seite

7

- NON MISCELARE MAI OLII ESTERE
ESTERE
CON OLII DIVERSI
- NEVER MIX ESTER OILS WITH DIFFERENT OILS
- NE MÉLANGER JAMAIS ESTER HUILES AVEC DIFFERENT HUILES
- NIEMALS ESTERÖL MIT ANDEREN ÖLEN VERMISCHEN

TENTATIVE DATA



CAPACITÀ FRIGORIFERA
REFRIGERATING CAPACITY

PUISSANCE FRIGORIFIQUE
KÄLTELEISTUNG

R134a

Watt

Modello Model Modelle Modell	Temp. cond. Cond. temp. Temp. de cond. Kond. temp. °C	Temperature Evapor. - Evaporating temper. - temp. evapor. - Verdampfungstemp. °C							
		C				S			B
		+ 10	+ 5°	0°	-5°	* -10°	-15°	-20°	
K 750 CC	+ 35°	26731	22230	18178	14575	11419	8713	6455	
	+ 45°	23402	19290	15627	12413	9647	7329	5461	
K 750 CS	+ 35°	31998	26509	21596	17259	13499	10314	7706	
	+ 45°	27847	22895	18519	14719	11496	8848	6777	
K 1000 CC	+ 35°	31998	26509	21596	1725	13499	10314	7706	
	+ 45°	27847	22895	18519	14719	11496	8848	6777	
K 1000 CS	+ 35°	42124	35037	28678	23048	18146	13972	10527	
	+ 45°	36758	30401	24772	19872	15701	12257	9542	
K 1500 CC	+ 35°	42124	35037	28678	23048	18146	13972	10527	
	+ 45°	36758	30401	24772	19872	15701	12257	9542	
K 1500 CS	+ 35°	50325	42100	34697	28116	22356	17419	13304	
	+ 45°	43601	36234	29689	23965	19064	14985	11728	
K 2000 CC	+ 35°	50325	42100	34697	28116	22356	17419	13304	
	+ 45°	43601	36234	29689	23965	19064	14985	11728	
K 1500 CB	+ 35°	63624	53225	43865	35544	28263	22021	16818	
	+ 45°	55122	45808	37533	30298	24101	18944	14826	
K 2500 CC	+ 35°	63624	53225	43865	35544	28263	22021	16818	
	+ 45°	55122	45808	37533	30298	24101	18944	14826	
K 2500 CB	+ 35°	71405	59803	49351	40048	31895	24891	19036	
	+ 45°	61760	51384	42157	34079	27151	21373	16743	
K 3000 CC	+ 35°	71405	59803	49351	40048	31895	24891	19036	
	+ 45°	61760	51384	42157	34079	27151	21373	16743	
K 3000 CS	+ 35°	92541	78148	65072	53314	42872	33747	25938	
	+ 45°	80768	67725	55998	45589	36496	28721	22262	
K 3500 CC	+ 35°	92541	78148	65072	53314	42872	33747	25938	
	+ 45°	80768	67725	55998	45589	36496	28721	22262	
K 3000 CB	+ 35°	106062	89485	74421	60870	48832	38308	29298	
	+ 45°	92553	77572	64104	52149	41707	32779	25365	
K 4000 CC	+ 35°	106062	89485	74421	60870	48832	38308	29298	
	+ 45°	92553	77572	64104	52149	41707	32779	25365	
K 4500 CS	+ 35°	109990	92799	77177	63125	50642	39728	30384	
	+ 45°	95982	80446	66479	54082	43254	33995	26306	
K 4700 CS	+ 35°	121194	101309	83411	67500	53576	41639	31689	
	+ 45°	106053	87884	71701	57506	45297	35076	26841	
K 5000 CC	+ 35°	121194	101309	83411	67500	53576	41639	31689	
	+ 45°	106053	87884	71701	57506	45297	35076	26841	
K 5500 CC	+ 35°	130641	109854	91024	74149	59231	46268	35261	
	+ 45°	114598	95555	78468	63337	50161	38942	29678	
K 5000 CS	+ 35°	145311	121470	100010	80933	64238	49926	37995	
	+ 45°	127158	105373	85970	68950	54312	42056	32183	
K 6000 CC	+ 35°	145311	121470	100010	80933	64238	49926	37995	
	+ 45°	127158	105373	85970	68950	54312	42056	32183	
K 6000 CS	+ 35°	157452	131619	108368	87698	69610	54102	41176	
	+ 45°	137782	114179	93156	74715	58855	45576	34879	
K 7500 CC	+ 35°	157452	131619	108368	87698	69610	54102	41176	
	+ 45°	137782	114179	93156	74715	58855	45576	34879	

Temp. gas aspirato
Suction gas temperature
Temp. de gas aspiré
Sauggastemperatur

+ 25°C

- Nel caso di funzionamento a 60 Hz moltiplicare la resa per 1,18
- When operating at 60 Hz, multiply the capacity for 1,18
- Dans les cas de fonctionnement à 60 Hz multiplier le rendement par 1,18
- Falls Betrieb mit 60 Hz muss man die Leistung mit 1,18 multiplizieren

- Rese frigorifere senza sottoraffreddamento del liquido.
- Capacity rating without liquid subcooling.
- Puisseance frigorifique sans sous-refroidissement du liquide.
- Kälteleistungen ohne Flüssigkeitsunterkühlung.

1 Kcal./H = 1,163 W.
1 W. = 0,860 Kcal./h
1 W. = 3,412 BTU/h

UTILIZZARE SOLO P.O.E.
USE P.O.E. ONLY
UTILISER SEULEMENT P.O.E.
NUR P.O.E. ÖLE VERWENDEN

* = Vedere pagina
See pag
Voir page
Sehen sie Seite

7

- NON MISCELARE MAI OLII ESTERE
ESTERE
CON OLII DIVERSI
- NEVER MIX ESTER OILS WITH DIFFERENT OILS
- NE MÉLANGER JAMAIS ESTER HUILES AVEC DIFFERENT HUILES
- NIEMALS ESTERÖL MIT ANDEREN ÖLEN VERMISCHEN

TENTATIVE DATA

Modello Model Modèle Modell	T. cond. Cond. temp. °C	Temperature Evapor. - Evaporating temperatur. °C - Temp. Evapor. - Verdampfungstemp.															
		Q	C					S			B					X	
			P	+10°	+5°	0°	-5°	-10°	-15°	*	-20°	-25°	-30°	-35°	-40°		
H40CC	+35°	W	3258	2751	2305	1916	1577	1286		1035							
		kW	0,72	0,70	0,68	0,65	0,62	0,59		0,54							
H40CS	+35°	W	2683	2264	1896	1575	1296	1053		843							
		kW	0,86	0,83	0,79	0,75	0,71	0,65		0,59							
H50CS	+35°	W				2641	2180	1777		1428	1128	873	657	475			
		kW				0,92	0,87	0,80		0,74	0,66	0,59	0,52	0,44			
H75CC	+35°	W	4489	3791	3177	2640	2173	1771		1426							
		kW	0,95	0,97	0,96	0,92	0,87	0,81		0,74							
H75CS	+35°	W	3697	3120	2613	2170	1785	1451		1161							
		kW	1,20	1,17	1,11	1,05	0,97	0,88		0,80							
H75CS	+35°	W				3856	3185	2598		2088	1650	1275	960	696			
		kW				1,35	1,26	1,17		1,073	0,97	0,86	0,76	0,64			
H100CC	+35°	W	6561	5541	4643	3858	3177	2589		2085							
		kW	1,39	1,41	1,38	1,33	1,26	1,18		1,10							
H100CS	+35°	W				4713	3890	3171		2548	2014	1558	1172	849			
		kW				1,60	1,50	1,39		1,27	1,15	1,03	0,90	0,77			
H100CS	+35°	W				4713	3890	3171		2548	2014	1558	1172	849			
		kW				1,60	1,50	1,39		1,27	1,15	1,03	0,90	0,77			
H150CC	+35°	W	8005	6760	5666	4710	3880	3163		2546							
		kW	1,66	1,66	1,63	1,58	1,50	1,41		1,30							
H150CS	+35°	W				5352	4422	3610		2907	2303	1788	1353	988			
		kW				1,82	1,72	1,61		1,48	1,35	1,20	1,04	0,86			
H150CS	+35°	W				5352	4422	3610		2907	2303	1788	1353	988			
		kW				1,82	1,72	1,61		1,48	1,35	1,20	1,04	0,86			
H180CC	+35°	W	9153	7726	6472	5376	4424	3602		2894							
		kW	1,99	1,95	1,89	1,81	1,71	1,60		1,48							
H180CS	+35°	W				6036	4983	4063		3267	2583	1999	1506	1093			
		kW				2,00	1,90	1,77		1,62	1,46	1,29	1,12	0,96			
H200CC	+35°	W	10250	8657	7256	6032	4969	4051		3261							
		kW	2,09	2,09	2,05	1,98	1,89	1,77		1,64							
H200CS	+35°	W	8444	7126	5970	4960	4080	3313		2644							
		kW	2,62	2,54	2,42	2,28	2,12	1,95		1,76							
H220CC	+35°	W				7023	5798	4729		3802	3006	2328	1754	1273			
		kW				2,33	2,22	2,07		1,89	1,70	1,51	1,32	1,14			
H220CS	+35°	W	11930	10076	8445	7021	5783	4714		3795							
		kW	2,42	2,44	2,41	2,32	2,21	2,06		1,89							
H220CS	+35°	W	9829	8294	6949	5773	4748	3856		3078							
		kW	3,03	2,95	2,82	2,66	2,46	2,25		2,03							
H220CS	+35°	W				7799	6437	5248		4218	3333	2579	1941	1406			
		kW				2,60	2,47	2,30		2,10	1,88	1,67	1,46	1,28			
H220CS	+35°	W				7799	6437	5248		4218	3333	2579	1941	1406			
		kW				2,60	2,47	2,30		2,10	1,88	1,67	1,46	1,28			

*
- Raffr. ausiliario o limitazione temp. asp.
- Additional cooling or limited suction gas temperature
- Refroidissement additionnel ou température du gaz aspiré réduite
- Zusatzkühlung oder eingeschränkte Sauggasttemperatur

Vedere pagina
See pag
Voir page
Sehen sie Seite

7

- Temp. gas aspirato
- Suction gas temperature
- Temp. de gas aspiré
- Sauggasttemperatur

+20°C

- Rete frigorifere senza sottoraffreddamento del liquido.
- Capacity rating without liquid subcooling.
- Puissance frigorifique sans sous-refroidissement du liquide.
- Kälteleistungen ohne Flüssigkeitsunterkühlung

- UTILIZZARE SOLO P.O.E.
- USE P.O.E. ONLY
- UTILISER SEULEMENT P.O.E.
- NUR P.O.E. ÖLE VERWENDEN



RESA FRIGORIFERA ED ASSORBIMENTO

DONNÉES DE PUISSANCE

PERFORMANCE DATA
Q = REFR. CAPACITY (WATT)

R404A/R507

LEISTUNGWERTE
P = POWER INPUT (KW)

Modello Model Modèle Modell	T. cond. Cond. temp. °C	Temperature Evapor. - Evaporating temperatur. °C - Temp. Evapor. - Verdampfungstemp.													
		Q	C						*	B					X
			P	+10°	+5°	0°	-5°	-10°		-15°	-20°	-25°	-30°	-35°	
H250CC	+35°	W	13202	11153	9352	7778	6410	5229		4213					
		kW	2,66	2,72	2,70	2,61	2,47	2,28		2,08					
	+45°	W	10875	9181	7695	6396	5265	4280		3420					
		kW	3,36	3,29	3,15	2,96	2,74	2,49		2,23					
H250CS	+35°	W				8741	7208	5870		4710	3714	2865	2148	1545	
		kW				3,10	2,93	2,71		2,48	2,23	1,99	1,76	1,57	
	+45°	W				7226	5932	4807		3835	3000	2286	1677	1157	
		kW				3,43	3,17	2,88		2,59	2,31	2,06	1,84	1,67	
H280CC	+35°	W	14892	12568	10526	8741	7191	5852		4700					
		kW	3,12	3,20	3,19	3,07	2,93	2,72		2,47					
	+45°	W	12407	10458	8749	7256	5954	4821		3832					
		kW	3,85	3,78	3,63	3,42	3,16	2,88		2,58					
H290CS *	+35°	W				10159	8341	6755		5335	4211	3219	2390	1707	
		kW				3,44	3,21	2,95		2,66	2,36	2,06	1,76	1,48	
	+45°	W				8407	6860	5518		4362	3377	2544	1846	1267	
		kW				3,84	3,50	3,15		2,78	2,42	2,07	1,75	1,46	
H300CC *	+35°	W	18071	15173	12617	10377	8429	6746		5303					
		kW	3,50	3,57	3,52	3,39	3,19	2,95		2,67					
	+45°	W	14772	12378	10270	8424	6814	5415		4201					
		kW	4,35	4,24	4,04	3,78	3,47	3,14		2,80					
H300CS *	+35°	W				11050	9085	7362		5868	4586	3500	2596	1857	
		kW				3,73	3,45	3,16		2,85	2,55	2,24	1,92	1,61	
	+45°	W				9054	7415	5986		4752	3697	2806	2063	1452	
		kW				4,16	3,79	3,41		3,04	2,68	2,31	1,95	1,60	
H350CC *	+35°	W	20200	16854	13933	11404	9229	7374		5803					
		kW	3,79	3,85	3,78	3,63	3,41	3,16		2,90					
	+45°	W	16522	13753	11346	9267	7480	5950		4640					
		kW	4,73	4,58	4,35	4,05	3,72	3,38		3,06					
H350SB *	+35°	W								6605	5201	4000	2981	2126	
		kW								3,29	2,93	2,56	2,21	1,87	
	+45°	W								5500	4303	3280	2410	1675	
		kW								3,54	3,09	2,65	2,24	1,87	
H380CC *	+35°	W	21946	18371	15243	12527	10189	8192		6503					
		kW	4,48	4,50	4,40	4,20	3,93	3,62		3,27					
	+45°	W	17921	15000	12453	10247	8346	6715		5319					
		kW	5,53	5,33	5,05	4,70	4,30	3,89		3,48					
H380SB *	+35°	W								7509	5957	4628	3501	2555	
		kW								3,70	3,32	2,91	2,50	2,10	
	+45°	W								6188	4863	3731	2769	1958	
		kW								3,97	3,50	3,01	2,54	2,09	
H390CS *	+35°	W				13662	11286	9210		7411	5864	4546	3432	2500	
		kW				4,78	4,46	4,11		3,73	3,35	2,95	2,54	2,14	
	+45°	W				11319	9321	7581		6077	4785	3680	2740	1940	
		kW				5,44	4,97	4,49		4,00	3,51	3,03	2,56	2,11	
H392CS	+35°	W								9108	7216	5597	4224	3072	
		kW								4,58	4,10	3,62	3,14	2,63	
	+45°	W								7478	5883	4522	3368	2393	
		kW								4,92	4,33	3,75	3,16	2,57	
K400CC	+35°	W			15200	12755	10420	8402		6675	5447	4287	3324	2551	
		kW			4,7	4,3	4	3,6		3,3	2,9	2,6	2,3	2	
	+45°	W				10725	8670	6895		5385	4390	3420	2620	1970	
		kW				4,8	4,4	3,9		3,5	3	2,7	2,35	2	
K400CS	+35°	W				14555	12020	9810		7930	6340	4990	3870	2970	
		kW				4,9	4,6	4,2		3,8	3,3	3	2,6	2,3	
	+45°	W						8065		6460	5110	3980	3045	2290	
		kW						4,5		4	3,54	3,1	2,7	2,3	
K470CC	+35°	W			17335	14555	12020	9815		7935					
		kW			5,4	5	4,6	4,2		3,8					
	+45°	W				12135	9945	8065		6460					
		kW				5,5	5	4,5		4					

* data not ASERCOM certified with R507

* dati per R507 non certificati ASERCOM

R404A/R507

Modello Model Modèle Modell	T. cond. Cond. temp. °C	Temperature Evapor. - Evaporating temperatur. - Temp. Evapor. - Verdampfungstemp. °C													
		Q		C			S			B		X			
		P	+10°	+5°	0°	-5°	-10°	-15° *	-20°	-25°	-30°	-35°	-40°		
K470CS	+35°	W						14700	12000		9700	7750	6100	4730	3630
		kW						5,6	5,1		4,6	4,1	3,6	3,2	2,8
	+45°	W							9865		7900	6245	4865	3725	2800
		kW							5,5		4,9	4,3	3,8	3,3	2,8
K500CC	+35°	W	29535	24990	21200	17800	14700	12000	97000						
		kW	7,2	6,8	6,5	6	5,5	5	4,5						
	+45°	W	24535	20760	17690	14840	12160	9865	7900						
		kW	7,7	7,4	7	6,5	6	5,4	4,8						
K500SB	+35°	W									8880	6990	5420	4160	
		kW									4,6	4,1	3,6	3,1	
	+45°	W									7150	5570	4265	3210	
		kW									4,9	4,3	3,7	3,2	
K500CS	+35°	W				20390	16835	13745	11110	8880	6990	5420	4160		
		kW				6,8	6,3	5,8	5,2	4,6	4,1	3,6	3,1		
	+45°	W				17000	13930	11300	9050	7155	5570	4265	3210		
		kW				7,6	6,9	6,2	5,5	4,9	4,3	3,7	3,2		
K740CC	+35°	W	33500	28200	24275	20382	16835	13740	11110						
		kW	8,4	7,8	7,3	6,8	6,3	5,7	5,1						
	+45°	W		23312	20155	16995	13925	11295	9050						
		kW		8,7	8,1	7,4	6,8	6,1	5,5						
K750CC	+35°	W	41727	36435	31140	25845	20845	16675	13280	10505	8170	6370	4920		
		kW	7,9	8	7,8	7,4	6,9	6,3	5,7	5,15	4,5	4	3,45		
	+45°	W			26100	21280	17133	13756	10838	8554	6691	5194	4000		
		kW			8,7	8,2	7,6	6,9	6,1	5,45	4,8	4,15	3,6		
K750CS	+35°	W				31000	25000	20000	15930	12600	9800	7640	5900		
		kW				8,57	8,1	7,5	6,8	6,1	5,4	4,7	4,1		
	+45°	W				25525	20550	16500	13000	10260	8025	6230	4800		
		kW				9,9	9	8,2	7,3	6,5	5,6	4,9	4,2		
K1000CC	+35°	W	52350	43937	36630	30285	24800	20080	16056						
		kW	9,2	9,2	9,05	8,7	8,2	7,5	6,8						
	+45°	W		36647	30467	25090	20437	16445	13055						
		kW		11,3	10,7	10	9,2	8,3	7,4						
K1000CS	+35°	W				38300	31800	26121	21300	17100	13515	10500	8000		
		kW				12,2	11,3	10,3	9,4	8,35	7,4	6,5	5,55		
	+45°	W				32850	26950	22100	17850	14100	11000	8260	6000		
		kW				13,6	12,25	11,02	9,84	8,67	7,54	6,47	5,4		
K1500CC	+35°	W	64350	54440	45820	38310	31780	26130	21260						
		kW	12,6	12,8	12,6	12,1	11,3	10,4	9,4						
	+45°	W	55720	47060	39480	32860	27090	22080	17760						
		kW	15,9	15,4	14,6	13,5	12,3	11	9,8						
K1500CS	+35°	W				43995	36350	29740	24040	19156	15010	11500	8590		
		kW				14,1	13,2	12,25	11,1	9,9	8,7	7,5	6,3		
	+45°	W				37030	30490	24820	19925	15730	12170	9170	6685		
		kW				15,9	14,66	13,3	11,9	10,5	9,1	7,7	6,3		
K2000CC	+35°	W	74540	62920	52810	44000	36350	29730	24030						
		kW	14,6	14,9	14,6	14,1	13,3	12,3	11,1						
	+45°	W	63050	53200	44580	37050	30500	24810	19910						
		kW	18,4	17,9	17	15,9	14,7	13,3	11,9						
K1500CB	+35°	W				55790	46160	37810	30545	24340	19070	14620	10915		
		kW				17,8	16,8	15,5	14	12,5	11	9,5	8		
	+45°	W				46900	38700	31560	25320	19990	15460	11650	8495		
		kW				20	18,5	16,8	15	13,2	11,5	9,07	8		
K2500CC	+35°	W	94170	79580	66870	55790	46160	37810	30610						
		kW	18,25	18,7	18,5	17,8	16,8	15,5	14,1						
	+45°	W	79360	67060	56310	46900	38700	31560	25400						
		kW	22,9	22,4	21,4	20	18,5	16,8	15,1						



RESA FRIGORIFERA ED ASSORBIMENTO

DONNÉES DE PUISSANCE

PERFORMANCE DATA
Q = REFR. CAPACITY (WATT)

R404A/R507

LEISTUNGWERTE
P = POWER INPUT (KW)

Modello Model Modèle Modell	T. cond. Cond. temp. °C	Temperature Evapor. - Evaporating temperatur. °C - Temp. Evapor. - Verdampfungstemp.																
		Q			C			S			B			X				
		P	+10°	+5°	0°	-5°	-10°	-15°	*	-20°	-25°	-30°	-35°	-40°				
K2500CB	+35°	W												35230	28065	22000	16890	12670
		kW												14,4	12,5	10,6	8,9	7,2
	+45°	W												29155	23000	17900	13600	10000
		kW												17,2	15	12,9	10,8	8,8
K3000CC	+35°	W	109610	92530	77670	64720	53480	43750	35360									
		kW	20,6	21,2	21,1	20,4	19,25	17,8	16,2									
	+45°	W	92680	78210	65550	54490	44860	36510	29300									
		kW	26,3	25,7	24,6	23,1	21,3	19,3	17,2									
K3000CS	+35°	W				77590	64420	53040	43200	34790	27630	21470	16425					
		kW				28,7	26,5	24,3	21,8	19,4	17	15	12,9					
	+45°	W				64675	53660	44080	35810	28700	22640	17500	13175					
		kW				31,9	29,2	26	23	20	17,4	14,8	12,4					
K3500CC	+35°	W	135850	114950	96730	80870	67110	55200	44920									
		kW	33,6	31,7	29,6	27,9	26	24,1	21,9									
	+45°	W	113470	96050	80820	67510	55920	45870	37200									
		kW	38,5	36,1	33,4	31	28,6	26	23,5									
K3000CB	+35°	W							50500	40670	32300	25100	19200					
		kW							25	22,2	19,5	17,2	14,8					
	+45°	W							41860	33550	26460	20460	15400					
		kW							26,2	23	20	17	14,2					
K4000CC	+35°	W	155620	131680	110810	92650	76880	63220	51460									
		kW	38,5	36,3	34	32	29,8	27,6	25,2									
	+45°	W	129990	110030	92590	77340	64060	52550	42620									
		kW	44,1	41,3	38,3	35,5	32,7	29,9	26,9									
K4500CS	+35°	W				99995	83020	68355	55675	44840	35610	27670	21170					
		kW				35,9	33,2	30,3	27,3	24,3	21,3	18,77	16,15					
	+45°	W				83350	69150	56810	46150	36990	29170	22560	16980					
		kW				39,9	36,47	32,5	28,7	25,1	21,8	18,6	15,5					
K4700CS	+35°	W				111090	92060	75640	61480	49370	39095	30445	23260					
		kW				38,6	36,1	32,9	29,4	25,9	22,5	19,3	16,4					
	+45°	W				90345	74630	61015	49290	39265	30770	23650	17760					
		kW				41,3	37,7	34	30,2	26,5	23,1	20,1	17,5					
K5000CC	+35°	W	190830	161150	135300	112830	93330	76470	61970									
		kW	40,6	40,9	39,75	37,6	34,9	31,8	28,55									
	+45°	W	160300	135100	113400	93820	77120	62680	50270									
		kW	50,9	48,7	45,7	42,1	38,2	34,3	30,5									
K5500CC	+35°	W	206090	174460	146930	122930	102060	83980	68360	54870	43450	33840	25850					
		kW	44,8	45,8	45,1	43,1	40,2	36,7	32,9	28,6	24,8	21,3	18,2					
	+45°	W	167340	141730	119320	99710	82600	67740	54880	43640	34195	26280	19740					
		kW	53,5	52	49,5	46,1	42,1	37,9	33,7	29,29	25,53	22,18	19,32					
K5000CS	+35°	W				136000	112700	92600	75260	60440	47860	37270	28470					
		kW				47,05	43,9	40	35,8	31,5	27,3	23,5	20					
	+45°	W				110600	91360	74965	60340	48065	37665	28950	21740					
		kW				50,3	46	41,4	36,7	32,3	28,1	24,4	21,3					
K6000CC	+35°	W	228850	193500	162750	135970	112710	92590	75300									
		kW	48,9	49,9	49,2	47	43,9	40	35,8									
	+45°	W	186960	158010	132710	110600	91360	74700	60340									
		kW	58,3	56,8	53,9	50,2	46	41,4	36,8									
K6000CS	+35°	W				148830	123330	101340	82360	66140	52380	40790	31160					
		kW				51	47,6	43,4	38,8	34,1	29,6	25,5	21,7					
	+45°	W				121035	99980	81740	66035	52600	41220	31680	23790					
		kW				54,5	49,8	44,8	39,8	35	30,5	26,5	23,1					
K7500CC	+35°	W	247960	209660	176340	147330	122120	100320	81560									
		kW	53	54,1	53,3	51	47,5	43,4	38,8									
	+45°	W	202570	171210	143790	119840	98990	80930	65380									
		kW	63,2	61,5	58,5	54,4	49,8	44,8	39,8									

Nel caso di funzionamento a 60 Hz moltiplicare la resa per 1,18
When operating at 60 Hz, multiply the capacity for 1,18
Dans les cas de fonctionnement à 60 Hz multiplier le rendement par 1,18
Falls Betrieb mit 60 Hz muss man die Leistung mit 1,18 multiplizieren

I motocompressori "CC" possono funzionare fino a -40° C d'evaporazione
Motocompressors "CC" can work up to -40° C evap. temp.
Les motocompresseurs "CC" peuvent travailler jusqu'à -40° C de température d'évaporation
Die "CC" verdichter können bis -40° C verdampfungstemperatur arbeiten

MODELLO MODEL MODELE MODELL	T. cond. Con. temp. T. de cond. Kon. temp. °C	Temperature Evapor.-Evaporating temper.-Temp. evapor.-Verdampfungtemp.°C							
		Q P	C		S			B	
			+ 10°	+ 5°	0°	- 5°	- 10°	- 15°	- 20°
H40CC	30°	W kW	3416 0,52	2826 0,54	2313 0,54	1871 0,52	1492 0,49	1171 0,45	900 0,40
	40°	W kW	2968 0,67	2447 0,67	1995 0,64	1605 0,60	1271 0,55	986 0,49	744 0,44
	50°	W kW	2540 0,81	2086 0,77	1693 0,72	1355 0,66	1064 0,60	815 0,53	600 0,47
H75CC	30°	W kW	4592 0,69	3802 0,72	3115 0,72	2523 0,70	2016 0,66	1585 0,60	1223 0,54
	40°	W kW	4001 0,91	3301 0,89	2694 0,86	2171 0,8	1723 0,73	1341 0,66	1015 0,59
	50°	W kW	3432 1,08	2822 1,03	2294 0,97	1836 0,89	1448 0,80	1113 0,72	824 0,63
H100CC	30°	W kW	6281 0,95	5200 0,99	4260 0,99	3449 0,96	2755 0,91	2166 0,83	1670 0,75
	40°	W kW	5473 1,24	4515 1,23	3684 1,18	2967 1,10	2354 1,01	1830 0,91	1385 0,81
	50°	W kW	4694 1,49	3858 1,42	3135 1,33	2511 1,22	1976 1,11	1516 0,99	1120 0,87
H150CC	30°	W kW	8050 1,22	6669 1,27	5468 1,27	4433 1,23	3547 1,16	2795 1,06	2161 0,95
	40°	W kW	7024 1,59	5801 1,57	4739 1,50	3824 1,41	3040 1,29	2372 1,16	1803 1,03
	50°	W kW	6036 1,90	4968 1,81	4044 1,70	3247 1,56	2563 1,41	1976 1,26	1471 1,12
H180CC	30°	W kW	9143 1,39	7576 1,46	6214 1,46	5039 1,42	4034 1,33	3181 1,22	2462 1,10
	40°	W kW	8000 1,83	6608 1,80	5401 1,73	4360 1,62	3469 1,48	2708 1,33	2061 1,17
	50°	W kW	6893 2,17	5676 2,07	4622 1,94	3714 1,78	2934 1,61	2265 1,44	1688 1,27
H200CC	30°	W kW	10137 1,64	8397 1,67	6885 1,65	5580 1,58	4463 1,48	3515 1,35	2716 1,21
	40°	W kW	8821 2,06	7284 2,01	5951 1,91	4802 1,78	3818 1,62	2978 1,46	2264 1,30
	50°	W kW	7563 2,40	6226 2,27	5070 2,12	4073 1,94	3218 1,75	2483 1,57	1850 1,39
H220CC	30°	W kW	11722 1,80	9717 1,86	7975 1,86	6473 1,80	5187 1,70	4096 1,56	3176 1,42
	40°	W kW	10255 2,33	8474 2,29	6929 2,19	5597 2,05	4456 1,89	3483 1,71	2655 1,53
	50°	W kW	8829 2,79	7269 2,66	5919 2,48	4756 2,28	3758 2,07	2901 1,87	2162 1,68
H250CC	30°	W kW	12883 1,95	10669 2,03	8748 2,03	7095 1,97	5685 1,85	4494 1,70	3496 1,52
	40°	W kW	11299 2,57	9322 2,53	7611 2,42	6141 2,26	4888 2,07	3826 1,86	2932 1,64
	50°	W kW	9731 3,09	7992 2,94	6493 2,74	5208 2,50	4112 2,26	3182 2,01	2392 1,78
H280CC	30°	W kW	14807 2,17	12270 2,24	10067 2,23	8167 2,15	6543 2,03	5164 1,87	4001 1,69
	40°	W kW	13111 2,89	10829 2,83	8850 2,70	7145 2,53	5684 2,32	4437 2,10	3375 1,88
	50°	W kW	11422 3,47	9398 3,29	7647 3,07	6137 2,82	4841 2,56	3729 2,30	2770 2,05
H300CC	30°	W kW	18244 2,69	15057 2,72	12279 2,68	9875 2,58	7812 2,43	6056 2,24	4573 2,01
	40°	W kW	15659 3,41	12854 3,30	10416 3,13	8311 2,92	6505 2,67	4964 2,38	3655 2,08
	50°	W kW	13207 4,05	10779 3,81	8675 3,53	6863 3,21	5309 2,87	3978 2,51	2837 2,14
H350CC	30°	W kW	19756 2,80	16185 2,90	13096 2,89	10454 2,79	8218 2,62	6352 2,41	4817 2,17
	40°	W kW	17293 3,68	14103 3,58	11353 3,40	9006 3,15	7023 2,87	5368 2,57	4002 2,26
	50°	W kW	14342 4,44	11594 4,16	9244 3,83	7254 3,46	5587 3,08	4204 2,70	3068 2,34
H380CC	30°	W kW	22665 3,16	18710 3,28	15268 3,28	12298 3,18	9761 2,99	7618 2,74	5828 2,44
	40°	W kW	19411 4,13	15962 1,04	12969 3,85	10393 3,60	8195 3,29	6334 2,95	4772 2,61
	50°	W kW	16,35 5,05	13114 4,74	10594 4,38	8437 3,97	6601 3,56	5048 3,14	3737 2,76
K400CC	30°	W kW	20700 4,5	17770 4,2	15090 3,9	12660 3,7	10410 3,4	8370 3,1	6510 2,8
	40°	W kW	18520 5	15790 4,6	13350 4,3	11130 3,9	9080 3,6	7320 3,2	5610 2,9
	50°	W kW	- -	14120 5,1	11700 4,6	9670 4,2	7790 3,7	6140 3,3	4710 2,9
K470CC	30°	W kW	23620 5,2	20280 4,9	17220 4,5	14430 4,2	11820 3,8	9550 3,5	7510 3,1
	40°	W kW	21100 5,8	18000 5,3	15140 4,9	12640 4,5	10300 4,1	8310 3,7	6390 3,3
	50°	W kW	- -	16010 5,8	13300 5,3	10990 4,9	8870 4,4	7000 3,9	5360 3,4
K500CC	30°	W kW	27130 6,3	23310 5,9	19820 5,5	16560 5,1	13710 4,7	11060 4,2	8630 3,7
	40°	W kW	24260 7	20710 6,5	17530 6	14650 5,5	11980 5	9700 4,5	7480 4
	50°	W kW	21710 7,5	18500 7	15370 6,4	12730 5,9	10300 5,3	8170 4,7	6320 4,2
K740CC	30°	W kW	32850 7,2	27950 6,7	23500 6,3	19460 5,8	15720 5,3	12480 4,8	9630 4,2
	40°	W kW	29000 7,9	24550 7,4	20470 6,8	16930 6,2	13660 5,7	10910 5,1	8300 4,5
	50°	W kW	25630 8,6	21600 9,1	17780 7,3	14600 6,7	11720 6	9230 5,4	7090 4,8

- Temp. gas aspirato
- Suction gas temperature
- Temp. de gas aspiré
- Sauggastemperatur

+25°C

- Rese frigorifere senza sottoraffreddamento del liquido.
- Capacity rating without liquid subcooling.
- Puissance frigorifique sans sous-refroidissement du liquide.
- Kälteleistungen ohne Flüssigkeitsunterkühlung

- UTILIZZARE SOLO P.O.E.
- USE P.O.E. ONLY
- UTILISER SEULEMENT P.O.E.
- NUR P.O.E. ÖLE VERWENDEN

32 cst

- Raffr. ausiliario o limitazione temp. asp.
- Additional cooling or limited suction gas temperature
- Refroidissement additionnel ou température du gaz aspiré réduite
- Zusatzkühlung oder eingeschränkte Sauggastemperatur

TENTATIVE DATA



RESA FRIGORIFERA ED ASSORBIMENTO

PERFORMANCE DATA
Q = REFR. CAPACITY (WATT)

R407C

DONNÉES DE PUISSANCE

LEISTUNGWERTE
P = POWER INPUT (KW)

MODELLO MODEL MODELE MODELL	T.cond. Con. temp. T. de cond. Kon. temp. °C	Temperature Evapor.-Evaporating temper.-Temp. evapor.-Verdampfungstemp.°C							
		Q P	C		S			B	
			+ 10°	+ 5°	0°	- 5°	- 10°	- 15°	- 20°
K750CC	30°	W kW	39950 6,3	34330 6,2	29190 6,1	24510 5,9	20190 5,6	16280 5,3	12700 4,9
	40°	W kW	35720 7,7	30490 7,4	25810 7	21570 6,6	17640 6,2	14290 5,7	11020 5,1
	50°	W kW	31960 9	27240 8,5	22630 8	18750 7,4	15170 6,7	12030 6	9310 5,4
K1000CC	30°	W kW	50570 7,6	42770 7,5	35750 7,3	29430 7	23660 6,7	18730 6,2	14470 5,6
	40°	W kW	44140 9,1	37100 8,8	30700 8,4	25210 7,9	20210 7,4	16070 6,8	12230 6,1
	50°	W kW	38470 10,5	32120 10	26200 9,5	21300 8,8	16950 8,1	13270 7,3	10190 6,5
K1500CC	30°	W kW	61500 10,2	51980 9,9	43360 9,6	35560 9,1	28860 8,6	22800 8	17600 7,4
	40°	W kW	53540 11,9	44960 11,5	37240 10,9	30450 10,3	24610 9,6	19200 8,8	14770 7,9
	50°	W kW	45840 13,7	38160 13	31350 12,2	25440 11,3	20480 10,4	15770 9,3	11880 8,4
K2000CC	30°	W kW	75220 11,8	63580 11,3	53030 11	43500 10,6	35300 10,1	27890 9,4	21530 8,7
	40°	W kW	65480 13,9	54990 13,5	45550 12,9	37240 12,2	30100 11,4	23480 10,4	18060 9,4
	50°	W kW	56060 16,4	46680 15,7	38370 14,7	31120 13,6	25050 12,5	19290 11,2	14530 10,1
K2500CC	30°	W kW	95100 15,3	80380 15	67050 14,5	55000 13,9	44620 13,26	35250 12,4	27220 11,5
	40°	W kW	82800 18,4	69520 17,8	57580 16,9	47080 16	38050 14,9	29680 13,7	22830 12,3
	50°	W kW	70880 21,5	59010 20,5	48470 19,2	39350 17,9	31660 16,5	24380 14,8	18360 13,3
K3000CC	30°	W kW	109000 19,7	92130 18,9	76850 18,1	63030 17,2	51150 16,1	40410 15,1	31200 14
	40°	W kW	94890 22,6	79680 21,2	66000 20,3	53960 19	43620 17,6	34020 16,1	26170 14,6
	50°	W kW	81240 25,5	67630 24,1	55560 22,4	45100 20,7	36300 18,9	27951 17	21050 15,3
K3500CC	30°	W kW	141250 25,3	121150 24,9	101500 24,3	81830 23,4	67180 22,2	53070 20,8	40980 19,3
	40°	W kW	123690 30	105280 29,1	87430 27,8	70020 26,3	56940 24,6	44410 22,6	34160 20,4
	50°	W kW	106670 34,7	89900 33,2	73870 31,2	58490 29,1	47000 26,8	36190 24,1	27260 21,7
K4000CC	30°	W kW	162170 32,3	138970 31,3	116320 30,1	93690 28,6	76830 26,8	60700 25,1	46870 23,3
	40°	W kW	141910 37,3	120720 35,9	100190 33,8	80210 31,7	65190 29,4	50850 27	39100 24,4
	50°	W kW	120040 42,4	103050 40,2	84650 37,5	67030 34,6	53890 31,7	41500 28,5	31260 25,6
K5000CC	30°	W kW	196920 32,8	168800 32,4	141260 31,6	113740 30,4	93220 29	73640 27,2	56860 25,2
	40°	W kW	172630 38,5	146830 37,5	121830 35,8	97480 33,9	79160 31,3	61740 28,7	47500 25,9
	50°	W kW	149020 44,3	125540 42,4	103090 39,9	81590 31,1	65520 34,22	50450 30,7	38000 27,7
K5500CC	30°	W kW	216750 40,6	185710 39,3	155410 37,8	125130 36,1	102560 34,1	81020 32	62560 29,6
	40°	W kW	189930 47,1	161540 44,9	134030 42,2	107240 39,5	87100 36,5	67940 33,5	52260 30,2
	50°	W kW	163950 53,6	138110 50,3	113420 46,5	89760 42,6	72090 38,7	55510 34,8	41810 31,3
K6000CC	30°	W kW	236360 38,5	202510 38,7	169470 38,3	136450 37,5	111840 36,1	88350 33,9	68220 31,4
	40°	W kW	207110 47,6	176160 46,5	146160 44,5	116950 42,3	94980 39,6	74080 36,4	56990 32,8
	50°	W kW	178780 56,7	150610 54	123680 50,6	97880 46,8	78610 42,8	60530 38,5	45590 34,6
K7500CC	30°	W kW	256100 41,7	219420 41,9	183620 41,5	147850 40,6	121180 39,2	95730 36,8	73920 34,1
	40°	W kW	224400 51,6	190870 50,4	158360 48,3	126710 45,9	102910 42,9	80270 39,4	61750 35,6
	50°	W kW	193100 61,4	163190 58,6	134000 54,9	106050 50,7	85180 46,3	65590 41,6	49400 37,5

- Temp. gas aspirato
- Suction gas temperature
- Temp. de gas aspiré
- Sauggastemperatur

+25°C

- Rese frigorifere senza sottoraffreddamento del liquido.
- Capacity rating without liquid subcooling.
- Puissance frigorifique sans sous-refroidissement du liquide.
- Kälteleistungen ohne Flüssigkeitsunterkühlung

- UTILIZZARE SOLO P.O.E.
- USE P.O.E. ONLY
- UTILISER SEULEMENT P.O.E.
- NUR P.O.E. ÖLE VERWENDEN

32 cst

- Raffr. ausiliario o limitazione temp. asp.
- Additional cooling or limited suction gas temperature
- Refroidissement additionnel ou température du gaz aspiré réduite
- Zusatzkühlung oder eingeschränkte Sauggastemperatur

TENTATIVE DATA

Modello Model Modèle	T. cond. Cond. temp.	Temperature Evapor. - Evaporating temperatur. °C - Temp. Evapor. - Verdampfungstemp.												
		Q	C			S			B			X		
			+10°	+5°	0°	-5°	-10°	-15°	-20°	-25°	-30°	-35°	-40°	
H40CC	+35°	3099	2611	2183	1810	1486	1207	967						
	+45°	2740	2305	1924	1591	1303	1054	839						
H50CS	+35°				2475	2036	1655	1326	1046	808	607	439		
	+45°				1807	1460	1161	906	689	505	349			
H75CS	+35°	4270	3599	3009	2495	2048	1663	1333						
	+45°	3776	3176	2651	2193	1796	1452	1156						
H75CC	+35°				3616	2975	2418	1938	1528	1181	888	642		
	+45°				2640	2133	1697	1324	1007	739	511			
H100CC	+35°	6240	5259	4397	3645	2993	2431	1948						
	+45°	5518	4641	3874	3205	2624	2122	1689						
H100CS	+35°				4366	3587	2918	2340	1846	1426	1076	778		
	+45°				3943	3224	2603	2069	1612	1223	893	621		
H150CC	+35°	7481	6295	5263	4366	3587	2918	2340						
	+45°	6813	5722	4770	3943	3224	2603	2069						
H150CS	+35°				4990	4100	3335	2675	2110	1630	1230	890		
	+45°				4507	3685	2975	2365	1843	1398	1021	710		
H180CC	+35°	8550	7195	6015	4990	4100	3335	2675						
	+45°	7787	6540	5452	4507	3685	2975	2365						
H180CS	+35°				5483	4507	3663	2939	2320	1793	1349	978		
	+45°				4951	4048	3266	2598	2024	1536	1124	780		
H200CC	+35°	9390	7903	6608	5483	4507	3663	2939						
	+45°	8554	7184	5990	4951	4048	3266	2598						
H200CS	+35°				6396	5257	4273	3428	2706	2092	1574	1141		
	+45°				5772	4722	3812	3030	2361	1792	1312	909		
H220CC	+35°	10953	9219	7708	6396	5257	4273	3428						
	+45°	9978	8380	6987	5772	4722	3812	3030						
H220CS	+35°				7023	5773	4692	3765	2972	2297	1729	1253		
	+45°				6342	5186	4186	3328	2593	1968	1440	999		
H250CC	+35°	12029	10124	8465	7023	5773	4692	3765						
	+45°	10958	9203	7673	6342	5186	4186	3328						
H250CS	+35°				7878	6475	5263	4223	333	2577	1939	1405		
	+45°				7114	5817	4695	3733	2908	2207	1616	1120		
H280CC	+35°	13492	11355	9494	7878	6475	5263	4223						
	+45°	12291	10323	8606	7114	5817	4695	3733						
H290CS	+35°				9173	7546	6134	4919	3882	3008	2277	1672		
	+45°				7723	6297	5064	4008	3111	2355	1723	1197		
H300CC	+35°	16850	14124	11734	9650	7843	6284	4944	3794					
	+45°	14553	12129	10009	8162	6560	5173	3972	2928					
H300CS	+35°				10249	8380	6770	5396	4239	3275	2485	1847		
	+45°				8682	7027	5611	4413	3412	2587	1916	1378		
H350CC	+35°	18850	15690	12919	10502	8407	6599	5045	3711					
	+45°	16268	13470	11022	8890	7040	5439	4052	2847					
H350SB	+35°							5488	4313	3318	2485	1796		
	+45°							4683	3631	2743	2003	1392		
H380CC	+35°	20409	17012	14032	11434	9181	7237	5566						
	+45°	17616	14628	12014	9737	7762	6052	4571						
H380SB	+35°							7252	5743	4458	3376	2471		
	+45°							6098	4769	3640	2688	1888		
H390CS	+35°				13178	10881	8888	7171	5707	4469	3432	2570		
	+45°				11489	9424	7638	6106	4802	3700	2776	20032		
H392CS	+35°							8793	7003	5491	4223	3171		
	+45°							7519	5921	4571	3438	2491		
K400CC	+35°	19128	16555	14170	11972	9961	8138	6503	5055	3794	2721	1835		
	+45°	17545	15092	12826	10748	8857	7154	5638	4309	3168	2214	1448		
K400CS	+35°				13650	11363	9291	7434	5794	4370	3161	2168		
	+45°				12255	10104	8169	6449	4945	3657	2585	1729		
K470CC	+35°	21809	18873	16154	13650	11363	9291	7434						
	+45°	20004	17205	14622	12255	10104	8169	6449						
K470CS	+35°				15747	13133	10765	8643	6768	5139	3755	2618		
	+45°				14147	11697	9494	7537	5826	4361	3142	2170		
K500CC	+35°	25065	21713	18607	15747	13133	10765							
	+45°	22971	19784	16842	14147	11697	9494							
K500SB	+35°							9801	7674	5827	4258	2969		
	+45°							8546	6606	4945	3563	2460		
K500CS	+35°				17856	14892	12207	9801	7674	5827	4258	2969		
	+45°				16041	13264	10766	8546	6606	4945	3563	2460		
K740CC	+35°	30164	25885	21945	18346	15087	12168							
	+45°	27315	23321	19667	16353	13378	10744							



CAPACITÀ FRIGORIFERA
REFRIGERATING CAPACITY

PUISSANCE FRIGORIFÈRE
KÄLTELEISTUNG

R22

Watt

MODELLO MODEL MODELE MODELL	Temp. cond. Cond. temp. Temp. de cond. Kond. temp. °C	Temperature Evapor. - Evaporating temp. - Temp. evapor. - Verdampfungstem. °C										
		C		D		E		F		X		
		+10°	+5°	0°	-5°	-10°	-15°	* -20°	-25°	-30°	-35°	-40°
K 750 CC	+35°	30810	31874	32400	33188	33930	34628	35278	35880	36440	36960	37450
	+45°	33827	35183	35932	36832	37682	38482	39232	39932	40582	41182	41732
K 750 CS	+35°				30005	30247	30417	30504	30511	30511	30511	30511
	+45°				33977	34305	34546	34711	34798	34805	34805	34805
K 1000 CC	+35°	40191	39371	39158	37343	35928	34105	32282				
	+45°	41300	34878	33247	31417	29584	27761	25938				
K 1000 CS	+35°				33732	29188	25081	18818	14458	11008	8044	5008
	+45°				30305	28088	26339	25140	24450	24342	24342	24342
K 1500 CC	+35°	50091	47728	46205	39480	37582	35478	33182				
	+45°	50040	48282	35487	32417	31125	29835	28545				
K 1500 CS	+35°				41280	34411	29807	23648	17734	13454	9040	5000
	+45°				37008	30650	24877	19749	15255	11427	8234	5000
K 2000 CC	+35°	60680	58378	49177	40084	35737	31438	27240				
	+45°	61213	51817	43407	36688	33044	29480	26028				
K 2000 CS	+35°				52065	43638	36917	30619	22844	17182	12084	8788
	+45°				47332	39137	31788	26217	19482	14591	10513	7289
K 2500 CC	+35°	68077	73801	62172	51789	42882	34782	30117				
	+45°	77389	68810	54877	45491	37381	30458	24808				
K 2500 CS	+35°				61347	51184	41840	33874	26387	20018	14530	10300
	+45°				55114	45871	36938	29359	22887	16900	12242	8403
K 3000 CC	+35°	80348	84589	71280	59390	49987	39845	32227				
	+45°	88701	78099	63668	52141	42810	34808	28434				
K 3000 CS	+35°				77940	64701	52789	42188	33040	24888	18321	13008
	+45°				68493	56278	45420	36688	27872	20778	15907	10957
K 3500 CC	+35°	130421	112918	88178	51102	37582	25048	14870				
	+45°	117188	100808	85172	71287	56807	47372	37603				
K 3000 CS	+35°							48810	38077	28878	21188	15050
	+45°							41520	32017	24042	17895	12877
K 4000 CC	+35°	148670	129182	110881	82878	77128	62980	48588				
	+45°	134418	115218	97907	67884	67149	54328	43045				
K 4500 CS	+35°				88410	82884	67328	53088	41875	31828	23887	18081
	+45°				67909	71777	57891	45770	35284	26008	18380	13875
K 4700 CS	+35°				118805	93818	78847	61008	47882	38004	28542	19805
	+45°				88814	81889	68886	52127	40288	30888	22878	16807
K 5000 CC	+35°	181888	166887	133888	112805	93818	78847	61008				
	+45°	183888	140888	118788	98214	81882	68888	52187				
K 5500 CC	+35°	200188	178884	147841	124107	103888	83889	67118	52880	39721	28800	20788
	+45°	180881	154888	130881	108151	89787	72488	57842	44348	33407	24814	17843
K 5000 CS	+35°				138388	112811	91889	73181	67088	43818	31842	22881
	+45°				118881	87888	70889	58888	48888	38488	28841	19888
K 6000 CC	+35°	218877	198823	168873	135388	112314	91889	73181				
	+45°	198819	168248	143883	118881	87888	70889	52888				
K 6000 CS	+35°				148888	127880	98245	78804	61888	48882	34882	24875
	+45°				128871	108884	88882	67780	52884	38471	28882	21167
K 7500 CC	+35°	238889	204847	174881	148888	121880	98245					
	+45°	212715	182287	154882	128871	108884	88882					

Temp. gas aspirato
Suction gas temperature
Temp. de gas aspiré
Sauggastemperatur
} + 25°C

Rese frigorifere senza sottoraffreddamento del liquido.
Capacity rating without liquid subcooling.
Puissance frigorifique sans sous-refroidissement du liquide.
Kälteleistungen ohne Flüssigkeitsunterkühlung.

★ = Vedere pagina
See page
Voir page
Sehen sie Seite
} 6

1 Kcal./h = 1,163 W.
1 W. = 0,860 Kcal./h
1 W. = 3,412 BTU/h

Nel caso di funzionamento a 60 Hz moltiplicare la resa per 1,18
When operating at 60 Hz, multiply the capacity for 1,18
Dans les cas de fonctionnement à 60 Hz multiplier le rendement par 1,18
Falls Betrieb mit 60 Hz muss man die Leistung mit 1,18 multiplizieren

I motocompressori "CC" possono funzionare fino a -40° C d'evaporazione
Motocompressors "CC" can work up to -40° C evap. temp.
Les motocompresseurs "CC" peuvent travailler jusqu'à -40° C de température d'évaporation
Die "CC" verdichter können bis -40° C verdampfungstemperatur arbeiten

TANDEM

Modello Model Modele Modell	M/compress. M/compressors M/compresseurs Motorkompress.	Cilind. Cylind. Cylind. Zylind.	Ales. Bore Bohrung	Corsa Stroke Course Hub	Volume spostato Displac. Volume Balayé Volumenst. m³/h	Rub. aspir. Suct. Valve Vanne aspir. Saugventil	Rub. scarico Disc. valve Vanne refoulement Druckventil	Carica olio Oil charge Charge Huile Olfüllung	Peso netto Net weight Poids net Nettogewicht	▲ FLA Amp.	■ LRA Amp.	220-240/380-415 3 Ph - 60 Hz 380-420 △ 3 Ph - 50 Hz 380-420/3/50 P.W.S.	Forma Mark Repère Form
		n.	mm.	mm.		SL	DL	Kg.	Kg.	380 V.	380 V.		
TK 1500 CC	2 x K 750 CC	8	61	32	65,08	42 S.	2 x 28 S.	6	260	34	144	●	I
TK 1500 CS	2 x K 750 CS	8	61	38	77,28	42 S.	2 x 28 S.	6	260	34	144	●	I
TK 2000 CC	2 x K1000 CC	8	61	38	77,28	42 S.	2 x 28 S.	6	265	40	200	●	I
TK 2000 CS	2 x K1000 CS	8	61	48	97,6	54 S.	2 x 28 S.	6	270	60	228	●	I
TK 3000 CC	2 x K1500 CC	8	61	48	97,6	54 S.	2 x 28 S.	6	270	60	228	●	I
TK 3000 CS	2 x K1500 CS	12	61	38	115,8	54 S.	2 x 28 S.	8,5	385	68	294	●	II
TK 4000 CC	2 x K2000 CC	12	61	38	115,8	54 S.	2 x 28 S.	8,5	385	68	294	●	II
TK 3000 CB	2 x K1500 CB	12	61	48	146,4	54 S.	2 x 28S.	8,5	385	96	344	●	II
TK 5000 CC	2 x K2500 CC	12	61	48	146,4	54 S.	2 x 28 S.	8,5	385	96	344	●	II
TK 5000 CB	2 x K2500 CB	12	61	55	167,8	54S.	2 x 35 S.	8,5	395	96	344	●	II
TK 6000 CC	2 x K3000 CC	12	61	55	167,8	66S.	2 x 35 S.	8,5	395	112	380	●	II
TK 6000 CS	2 x K3000 CS	12	75	48	221,2	66S.	2 x 35 S.	15	510	112	380	●	III
TK 7000 CC	2 x K3500 CC	12	75	48	221,2	66 S.	2 x 35 S.	15	515	144	460	●	III
TK 6000 CB	2 x K3000 CB	12	75	55	253,4	66S.	2 x 35 S.	15	510	112	380	●	III
TK 8000 CC	2 x K4000 CC	12	75	55	253,4	66 S.	2 x 35 S.	15	515	168	646	●	III
TK 9000 CS	2 x K4500 CS	12	75	60	276,6	66 S.	2 x 35 S.	15	520	168	646	●	III
TK 9400 CS	2 x K4700 CS	16	75	50	307,4	66 S.	2 x 42 S.	19	740	180	790	●	IV
TK 10000 CC	2 x K5000 CC	16	75	50	307,4	66S.	2 x 42 S.	19	740	230	930	●	IV
TK 11000CC	2 x K5500 CC	16	75	55	338,2	66 S.	2 x 42 S.	19	740	240	930	●	IV
TK 10000 CS	2 x K5000 CS	16	75	60	368,8	80S.	2 x 42 S.	19	745	230	930	●	IV
TK 12000 CC	2 x K6000 CC	16	75	60	368,8	80S.	2 x 42 S.	19	750	260	930	●	IV
TK 12000 CS	2 x K6000 CS	16	75	65	399,7	80 S.	2 x 42 S.	19	750	260	930	●	IV
TK 15000 CC	2 x K7500 CC	16	75	65	399,7	80S.	2 x 42 S.	19	750	260	930	●	IV

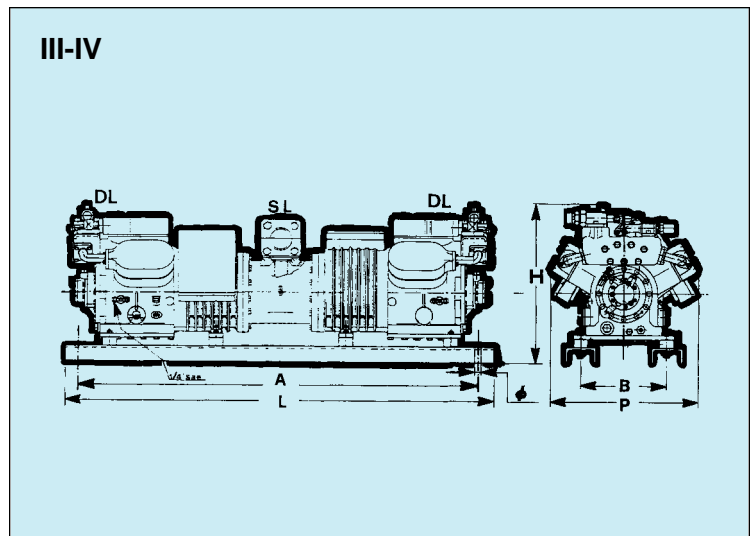
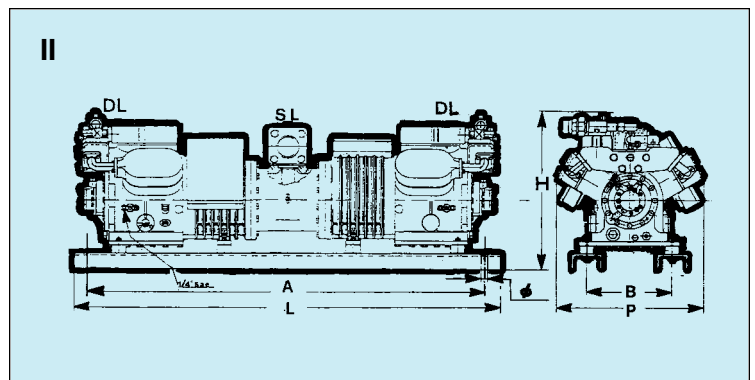
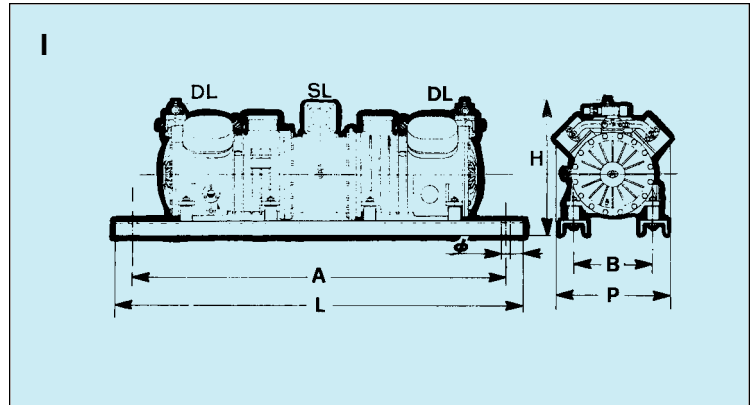
▲ FLA Massima corrente di funzionamento
Max. operating current
Intensité maxi. de fonctionnement
Max Betriebsstrom

■ LRA Corrente a rotore bloccato
Locked rotor current
Courant rotor bloqué
Anlaufstrom

● Tensioni di normale fornitura
Standard supply
Voltages livrés normalement
Spannungen für normale Auslieferung

TANDEM

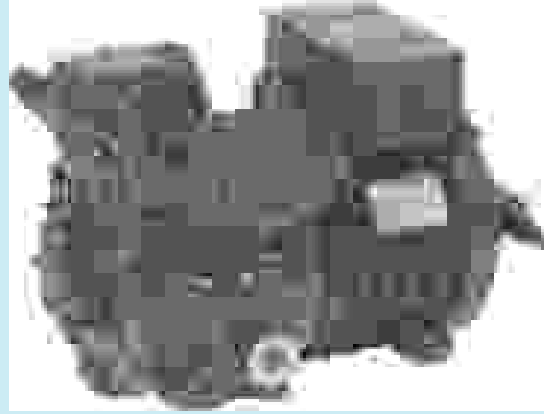
Dimensioni - Dimensions - Abmessungen mm.						Forma Mark Repère Form
L	P	H	A	B	∅	
1300	352	420	1210	405	13	I
1300	352	420	1210	405	13	I
1300	352	420	1210	405	13	I
1300	385	435	1210	405	13	I
1300	385	435	1210	405	13	I
1300	530	535	1210	405	13	II
1300	530	535	1210	405	13	II
1300	530	535	1210	405	13	II
1300	530	535	1210	405	13	II
1300	530	535	1210	405	13	II
1300	530	535	1210	405	13	II
1800	515	590	1680	305	13	III
1800	515	590	1680	305	13	III
1800	515	590	1680	305	13	III
1800	515	590	1680	305	13	III
1800	550	650	1680	305	13	IV
1800	550	650	1680	305	13	IV
1800	550	650	1680	305	13	IV
1800	550	650	1680	305	13	IV
1800	550	650	1680	305	13	IV
1800	550	650	1680	305	13	IV
1800	550	650	1680	305	13	IV



N.B. - Per ottenere le capacità frigorifere si deve fare riferimento ai m/compressori
N.B. - To obtain the refrigerating capacity you have to make reference to m/compressors
N.B. - Pour obtenir les capacités frigorifiques on doit se referer aux m/compresseurs
N.B. - Um die Kälteleistung zu bekommen siehe Leistungsdaten der Motor-Kompressoren

SERIE KP

KP750CS - KP1000CC
KP1000CS - KP1500CC
KP1500CS - KP2000CC



Gamma KP

Questa nuova gamma di compressori comprende 6 modelli a 4 cilindri con potenze nominali che vanno da 7.5 Hp a 20 Hp e si affianca alla oramai ampiamente collaudata ed apprezzata serie K4 MULTICONUS.

Le caratteristiche principali di questi nuovi compressori sono:

- estensione della gamma 4 cilindri con due modelli di volume spostato di 57 m³/h (a 50 Hz).
- riduzione degli ingombri (il volume occupato dal KP1500CS/KP2000CC è circa il 40% in meno di quello occupato dagli equivalenti modelli K1500CS/K2000CC)
- riduzione del peso dei modelli KP1500CS/KP2000CC (-30%) rispetto a quello dei modelli equivalenti K1500CS/K2000CC.
- Lubrificazione forzata con pompa olio
- scatola connessioni elettriche di ampie dimensioni e con grado di protezione IP55

Gammae KP

Cette nouvelle gamme de compresseurs qui comprend 6 modèles en 4 cylindres avec des puissances nominales qui vont de 7.5 HP à 20 HP vient compléter la série K4 MULTICONUS qui a fait ses preuves.

Les caractéristiques principales de ces nouveaux compresseurs sont:

- extension de la gamme 4 cylindres avec 2 modèles aux volumes balayés de 57 m³/h (à 50 Hz)
- réduction des encombrements (le volume occupé par les KP1500CS/KP2000CC est environ ou près de 40% en moins de celui occupé par les modèles équivalents. (K1500CS/K2000CC).
- réduction du poids des modèles KP1500CS/KP2000CC (-30%) par rapport à celui des modèles équivalents K1500CS/K2000CC.
- lubrification forcée par pompe à huile
- boîte connexions électriques de grande dimension et avec un degré de protection IP55

KP Range

This new series of compressors consists of six 4-cylinder models ranging from 7.5 Hp to 20 Hp and fits along side the long tested and long admired K4 MULTICONUS.

The main characteristics of these new compressors are:

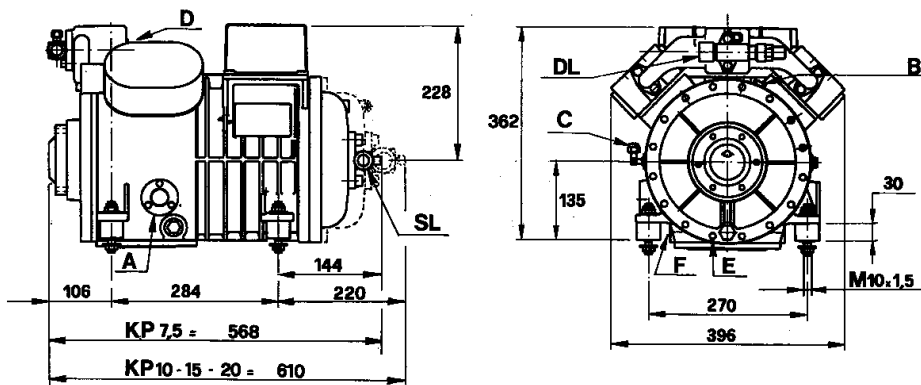
- extension of the 4-cylinder range by 2 models with 57 m³/hr swept volumes (at 50 Hz.)
- reduction in size (the volume occupied by the KP1500CS/KP2000CC is about 40% less than the equivalent models K1500CS/K2000CC they replace.
- Reduction in weight of the KP1500CS/KP2000CC is about 30% less than the K1500CS/K2000CC they replace.
- Oil pump lubrication
- Large size electrical connection box with IP55 protection.

KP-Reihe

Diese neue Reihe von Kompressoren umfasst sechs 4-Zylinder-Modelle mit Nennleistungen zwischen 7,5 PS und 20 PS und tritt an die Seite der bewährten und allseits geschätzten Reihe K4 MULTICONUS.

Als wichtigste Eigenschaften dieser neuen Kompressoren sind zu nennen:

- Erweiterung des 4-Zylinderangebots auf zwei Modelle mit einem durchgesetzten Volumen von 57 m³/h (bei 50 Hz);
- Geringerer Platzbedarf (gegenüber den gleichwertigen Modellen K1500CS/K2000CC nehmen die Modelle KP1500CS bzw. KP2000CC etwa 40% weniger Platz ein);
- Gewichtsverringering der Modelle KP1500CS/KP2000CC (-30%) im Vergleich zu den entsprechenden Modellen K1500CS/K2000CC;
- Zwangsschmierung mit Ölpumpe;
- Großformatiger Elektro-Anschlusskasten, ausgeführt in Schutzklasse IP55.



A Spia Olio
 B Tappo carica Olio
 C Presa Bassa Press.
 D Presa Alta Press.
 E Tappo scarica olio
 F Resistenza carter
 DL Rubinetto Compressione
 SL Rubinetto Aspirazione

Oil Sight
 Oil charge plug
 Low pressure tap
 High pressure tap
 Oil drain plug
 Crankcase heater
 Discharge service valve
 Suction service valve

Voyant d'huile
 Bouchon huile
 Prise basse pression
 Prise haute pression
 Bouchon de vid. d'huile
 Resistance carter
 Vanne de refoulement
 Vanne aspiration

Oelschauglas
 Oelfuellschraube
 Anschluss Niederdruck
 Anschluss Hochdruck
 Oelablass Schraube
 Oelsumpfheizung
 Druckabsperventil
 Saugabsperventil

CARATTERISTICHE TECNICHE
TECHNICAL CHARACTERISTICS

CARACTERISTIQUES TECHNIQUES
TECHNISCHE CHARAKTERISTIKEN


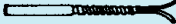
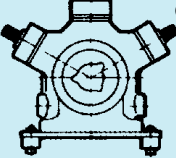

Serie Range Serie Reihe	Modello Model Modelle Modell	Rub. aspir.	Rub. scarico	Alesag. Bore Bohrung	Corsa Stroke Course Hub	Cilind. Cylind. Cylind. Zylind.	Volume spost.		Carica olio Oil charge Charge Huile Ölfüllung	Peso netto Net weight Poids net Nettogewicht
		Suct. valve Vanne aspir. Saugventil	Disc. valve Vanne refoulement Druckventil				SL	DL		
KP	KP 750CS	35s	22s	61	38	4	38,65	46,38	3,0	115
	KP1000CC	35s	28s	61	38	4	38,65	46,38	3,0	120
	KP1000CS	42s	28s	61	48	4	48,82	58,58	3,0	120
	KP1500CC	42s	28s	61	48	4	48,82	58,58	3,0	120
	KP1500CS	42s	28s	61	56	4	56,95	68,34	3,0	122
	KP2000CC	42s	28s	61	56	4	56,95	68,34	3,0	122

CARATTERISTICHE ELETTRICHE
ELECTRICAL DATA
CARACTERISTIQUES ELECTRIQUES
ELEKTRISCHE DATEN

ACCESSORI
ACCESSOIRES
ACCESSOIRES
ZUBEHÖRTEILE

Serie Range Serie Reihe	Modello Model Modelle Modell	220-240	380-420	380-420	220-380	380	380-420	50 Hz		60 Hz	
		380-420	Δ 3-50	3 50 P.W.S.	3-60	Δ 3-60	3 60 P.W.S.	▲ FLA Amp. 380 V.	■ LRA Amp. 380 V.	▲ FLA Amp. 380 V.	■ LRA Amp. 380 V.
KP	KP 750CS	●	○	○	○	○	○	17	82	20,4	98,4
	KP1000CC	○	●	○	○	○	○	20	100	24	120
	KP1000CS	○	●	○	○	○	○	30	114	36	136,8
	KP1500CC	○	●	○	○	○	○	30	114	36	136,8
	KP1500CS	○	○	●	○	○	○	34	147	40,8	176,4
	KP2000CC	○	○	●	○	○	○	34	147	40,8	176,4

TE	INT 69	CH	CR	BF	WH	DTC	OL
★	○	○	○	○	○	+	○
★	○	○	○	○	○	+	○
★	○	○	○	○	○	+	○
★	○	○	○	○	○	+	○
★	★	○	○	○	○	+	○
★	★	○	○	○	○	+	○

<p>▲ FLA</p> <p>Massima corrente di funzionamento Max. operating current intensité maxi. de fonctionnement Max Betriebsstrom</p> <p>■ LRA</p> <p>Corrente a rotore bloccato Locked rotor current Courant rotor bloqué Anlaufstrom</p> <p>● Tensioni di normale fornitura Standard supply Tension standard Spannungen für normale Auslieferung</p> <p>○ Su richiesta Optional Sur demande Auf Wunsch</p> <p>- Tolleranza sulle tensioni: - Voltage tolerance: - Tolérance sur la tension: - Zulässige Spannungstoleranz: ± 10%</p>	<p>CPM = Modulo protezione compressore Compressor protection module Module de protection du compresseur Kompressor schutzmodul</p>	<p>BF = Ventilazione raffreddamento ausiliaria Body cooling fan Ventilation pour refroidir auxiliaire Zylinderkopfkühlung</p>	<p>WH = Raffreddamento della testata con acqua Water cooled head Tête refroidie à eau Wasserkühlung des Zylinderkopfes</p>	
	<p>TE = Prot. a Termistori Thermistor Prot. Protect. par therm. Thermistorenschutz</p>	<p>INT 69 = Mod. elettronico Elect. module Declencheur élect. Auslösegerät</p>	 <p>DTC = Iniezione di liquido Liquid injection Injection de liquid Flüssigkeitseinspritzung</p>	
	 <p>CH = Resistenza carter Crankcase Heater Résistance carter Ölsumpfheizung</p>	 <p>CR = Regolatore di potenza Capacity control system Régulateur de puissance Leistungsregler</p>	 <p>OL = Regolatore livello olio Oil level Float valve Régulateur de niveau d'huile Olstandsregelung</p>	
			<p>★ Accessori di normale fornitura Standard supply Accessoires livrés normalement Zubehörteile für standard Auslieferung</p>	<p>+ Predisposto Arranged Predispose Vorbereitet</p>

RESA FRIGORIFERA ED ASSORBIMENTO

PERFORMANCE DATA
Q = REFR. CAPACITY (WATT)

R404A/R507

DONNÉES DE PUISSANCE

LEISTUNGSWERTE
P = POWER INPUT (KW)

Modello Model Modèle Modell	T. cond. Cond. t. T. de cond. Kond. t. °C	Temperature Evapor. - Evaporating temperatur. °C - Temp. Evapor. - Verdampfungstemp.													
		Q	C				S				B				X
			P	+10°	+5°	0°	-5°	-10°	-15°	*	-20°	-25°	-30°	-35°	-40°
KP750CS	+35°	W				31000	25000	20000		15930	12600	9800	7640	5900	
		kW				8,75	8,1	7,5		6,8	6,1	5,4	4,7	4,1	
	+45°	W				25525	20550	16500		13000	10260	8025	6230	4800	
		kW				9,9	9	8,2		7,3	6,5	5,6	4,9	4,2	
KP1000CC	+35°	W	52350	43937	36630	30285	24800	20080		16056					
		kW	9,2	9,2	9,05	8,7	8,2	7,5		6,8					
	+45°	W		36647	30467	25090	20437	16445		13055					
		kW		11,3	10,7	10	9,2	8,3		7,4					
KP1000CS	+35°	W				38300	31800	26121		21300	17100	13515	10500	8000	
		kW				12,2	11,3	10,3		9,4	8,35	7,4	6,5	5,55	
	+45°	W				32850	26950	22100		17850	14100	11000	8260	6000	
		kW				13,5	12,25	11,02		9,84	8,67	7,54	6,47	5,4	
KP1500CC	+35°	W	64350	54440	45820	38310	31780	26130		21260					
		kW	12,6	12,8	12,6	12,1	11,3	10,4		9,4					
	+45°	W	55720	47060	39480	32860	27090	22080		17760					
		kW	15,9	15,4	14,6	13,5	12,3	11		9,8					
KP1500CS	+35°	W				43777	36347	29856		24346	19545	15448	12002	9144	
		kW				14,0	12,9	11,8		10,8	9,6	8,5	7,4	6,4	
	+45°	W				37515	30777	25238		20385	16102	12562	9433	6852	
		kW				15,5	14,0	12,6		11,3	9,9	8,6	7,4	6,2	
KP2000CC	+35°	W	73552	62225	52372	43788	36325	29867		24300					
		kW	14,4	14,7	14,4	13,9	12,9	11,9		10,8					
	+45°	W	63632	53743	45086	37526	30937	25215		20282					
		kW	18,2	17,6	16,7	15,5	14,1	12,6		11,2					

CAPACITÀ FRIGORIFERA
REFRIGERATING CAPACITY

PUISSANCE FRIGORIFIQUE
KÄLTELEISTUNG

R134a Watt

Modello Model Modèle Modell	T. cond. Cond. t. T. de cond. Kond. t. °C	Temperature Evapor. - Evaporating temperatur. °C - Temp. Evapor. - Verdampfungstemp.								
		C				S				B
		+10°	+5°	0°	-5°	*	-10°	-15°	-20°	
KP750CS	+35°	31998	26509	21596	17259		13499	10314	7706	
KP1000CC	+45°	27847	22895	18519	14719		11496	8848	6777	
KP1000CS	+35°	42124	35037	28678	23048		18146	13972	10527	
KP1500CC	+45°	36758	30401	24772	19872		15701	12257	9542	
KP1500CS	+35°	49706	41344	33840	27197		21412	16487	12422	
KP2000CC	+45°	43374	35873	29231	23449		18527	14463	11260	



CAPACITÀ FRIGORIFERA
REFRIGERATING CAPACITY

PUISSANCE FRIGORIFIQUE
KÄLTELEISTUNG

R22 Watt

Modello Model Modèle Modell	T. cond. Cond. t. T. de cond. Kond. t. °C	Temperature Evapor. - Evaporating temperatur. °C - Temp. Evapor. - Verdampfungstemp.											
		C			S			B			X		
		+10°	+5°	0°	-5°	-10°	-15°	* -20°	-25°	-30°	-35°	-40°	
KP 750CS	+35°				26695	22247	18217	14604	11409	8631	6271	4328	
	+45°				23977	19805	16409	12711	9791	7288	5203	3535	
KP1000CC	+35°	46181	39371	33158	27543	22525	18105	14282					
	+45°	41300	34975	29247	24117	19584	15648	12310					
KP1000CS	+35°				33732	28133	23061	18516	14498	11008	8044	5608	
	+45°				30305	25058	20338	16146	12480	9342	6731	4648	
KP1500CC	+35°	56051	47725	40205	33490	27582	22479	18182					
	+45°	50045	42363	35487	29417	24153	19695	16043					
KP1500CS	+35°				39804	33197	27212	21849	17108	12989	9492	6617	
	+45°				35760	29568	23999	19052	14726	11024	7943	5485	
KP2000CC	+35°	66140	56316	47442	39518	32547	26525	21455					
	+45°	59053	49988	41875	34712	28501	23240	18931					

RESA FRIGORIFERA ED ASSORBIMENTO

PERFORMANCE DATA
Q = REFR. CAPACITY (WATT)

R407C

DONNÉES DE PUISSANCE

LEISTUNGSWERTE
P = POWER INPUT (KW)

Modello Model Modèle Modell	T. cond. Cond. t. T. de cond. Kond. t. °C	Temperature Evapor. - Evaporating temperatur. °C - Temp. Evapor. - Verdampfungstemp.									
		Q	C			S			B		
			P	+10°	+5°	0°	-5°	-10°	-15°	-20°	
KP1000CC	+35°	W	47500	39980	33250	27360	21950	17400	13400		
		kW	8,3	8,1	7,8	7,4	7	6,5	5,9		
KP1500CC	+35°	W	57550	48500	40300	33000	26750	21000	16200		
		kW	11	10,7	10,2	9,7	9,1	8,4	7,6		
KP2000CC	+35°	W	67909	57230	47554	38940	31565	24780	19116		
		kW	12,9	12,5	11,9	11,3	10,6	9,8	8,9		
	+45°	W	58670	49076	40474	32981	26609	20650	15729		
		kW	15,0	14,3	13,5	12,1	11,7	10,5	9,5		

Note
Annotations
Notes
Bemerkungen

Temp. gas aspirato
Suction gas temperature
Temp. de gas aspiré
Sauggastemperatur } + 25°C

- Rese frigorifere senza sottoraffreddamento del liquido.
- Capacity rating without liquid subcooling.
- Puisseance frigorifique sans sous-refroidissement du liquide.
- Kälteleistungen ohne Flüssigkeitsunterkühlung.

1 Kcal./H = 1,163 W.
1 W. = 0,860 Kcal./h
1 W. = 3,412 BTU/h

Nel caso di funzionamento a 60 Hz moltiplicare la resa per 1,18
When operating at 60 Hz, multiply the capacity for 1,18
Dans les cas de fonctionnement à 60 Hz multiplier le rendement par 1,18
Falls Betrieb mit 60 Hz muss man die Leistung mit 1,18 multiplizieren

I motocompressori "CC" possono funzionare fino a -40° C d'evaporazione
Motocompressors "CC" can work up to -40° C evap. temp.
Les motocompresseurs "CC" peuvent travailler jusqu'à -40° C de température d'évaporation
Die "CC" verdichter können bis -40° C verdampfungtemperatur arbeiten

- NON MISCELARE MAI OLII ESTERE CON OLII DIVERSI
- NEVER MIX ESTER OILS WITH DIFFERENT OILS
- NE MÉLANGER JAMAIS ESTER HUILES AVEC DIFFERENT HUILES
- NIEMALS ESTERÖL MIT ANDEREN ÖLEN VERMISCHEN

UTILIZZARE SOLO P.O.E.
USE P.O.E. ONLY
UTILISER SEULEMENT P.O.E.
NUR P.O.E. ÖLE VERWENDEN

★ = Vedere pagina
See page
Voir page
Sehen sie Seite } 6-7

VALORI MEDI DI PRESSIONE SONORA IN dBA AVERAGE VALUES OF SOUND PRESSURE IN dBA VALEUR MOYENNE DE PRESSION ACOUSTIQUE EN dBA MITTLERER SCHALLDRUCKPEGEL IN dBA

Gli eccellenti risultati ottenuti dalle OFFICINE MARIODORIN S.p.A. sono stati anche "certificati" da strette misurazioni intensimetriche fatte dall'Università di Firenze secondo le norme ISO 9614-1 grado 2.

Oltre ai dati di potenza e di pressione sonora indicati qui sotto sono disponibili, dietro richiesta, spettri acustici alle diverse frequenze.

La formula da usare per ottenere la pressione sonora (Lp) ad una certa distanza (d), conoscendo la potenza sonora (Lw) è:

$$L_p = L_w + 10 \text{ Log } [K / (4 \times 3.142 \times d \times d)] \text{ dove}$$

K = > Direttività = 1 per campo libero

d = Distanza in metri

Strict intensimetric measurements made by the Florence University according to the rules ISO 9614-1 grade, 2, "certified" the excellent results obtained by the OFFICINE MARIODORINSpa.

Besides the sound pressure and power datas indicated hereunder there are, available on request, the sound spectrums at the different frequencies.

The relation to be used to obtain the sound pressure (Lp) at a certain distance (d), knowing the sound power (Lw), is:

$$L_p = L_w + 10 \text{ Log } [K / (4 \times 3.142 \times d \times d)] \text{ where}$$

K = Directivity = 1 for free field

d = Distance in meter

Serie Range Serie Reihe	Modello Model Modele Modell	Sound Pressure (free field)						Sound Power (dBA)		
		at 1.8 meter (dBA)			at 5 meter (dBA)			ISO9614-1 grade 2		
		Te/Tc °C			Te/Tc °C			Te/Tc °C		
		+7 +50	-10 +45	-30 +40	+7 +50	-10 +45	-30 +40	+7 +50	-10 +45	-30 +40
K1 (H1)	K 40 CC	46			37.1			62.1		
	K 50 CS			47.8			38.9			63.9
	K 75 CC	46.5			37.6			62.6		
	K 75 CS			48.6			39.7			64.7
	K 100 CC	48.3			39.4			64.4		
	K 100 CS			49.8			40.9			65.9
	K 150 CC	49.2			40.3			65.3		
	K 150 CS			50.1			41.2			66.2
	K 180 CC	49.6			40.7			65.7		
	K 180 CS			50.7			41.8			66.8
	K 200 CC	49.8			40.9			65.9		
	K 230 CS			51.2			42.3			67.3
	K 235 CC	50			41.1			66.1		
K 240 SB			51.8			42.9			67.9	
K2	K 250 CS	54.9	53.5	51.9	45.9	44.5	42.9	70.9	69.5	67.9
	K 280 CC									
	K 280 SB									
	K 300 CS									
	K 290 SB		51.5	51.6		42.5	42.6		67.5	67.6
	K 300 SB									
K3	K 400 CC									
	K 400 CS		55.1	57.9	47.9	46.1	48.6	72.9	71.1	73.6
	K 470 CC									
	K 470 CS									
	K 500 CS		61.4	57.5		52.4	48.5		77.4	73.5
	K 500 SB									
	K 500 CC	60.3	58.4	58.9	51.3	49.4	49.9	76.3	74.4	74.9
K 740 CC										

VALORI MEDI DI PRESSIONE SONORA IN dBA
AVERAGE VALUES OF SOUND PRESSURE IN dBA
VALEUR MOYENNE DE PRESSION ACOUSTIQUE EN dBA
MITTLERER SCHALLDRUCKPEGEL IN dBA

L'Università di Firenze a effectué, selon les règles ISO 9614-1 niveau, 2, des mesures précises et a "certifié" les excellents résultats obtenus par OFFICINE MARIO DORIN SPA.

Oltre les niveaux de pressions et les données concernant les niveaux de puissance énumérés ci-dessus, nous pouvons fournir sur demande les spectres aux différentes fréquences.

L'équation à utiliser pour obtenir le niveau de pression (Lp) à une certaine distance (d) si l'on connaît le niveau de puissance (Lw) est:

$$L_p = L_w + 10 \text{ Log} [K / (4 \times 3.142 \times d \times d)] \text{ où:}$$

K = coefficient de résonance (1 pour champ libre)

d = distance en mètres

Strenge intensimetrische Messungen der Universität Florenz in Übereinstimmung mit den Anforderungen der ISO 9614-1 Version 2, "zertifizierten" das exzellente Ergebnis welches von OFFICINE MARIO DORIN Spa erzielt wurde.

Neben den Schalldruck- und Leistungsdaten, wie sie im folgenden angegeben sind, können noch die Schallspektren bei verschiedenen Frequenzen auf Anfrage zur Verfügung gestellt werden.

Die Verbindung die verwendet werden muß, um den Schalldruck (Lp) in einer bestimmten Entfernung (d) bei bekannter Schalleistung (Lw) zu ermitteln, lautet:

$$L_p = L_w + 10 \text{ Log} [K / (4 \times 3.142 \times d \times d)], \text{ wobei gilt:}$$

K = Richtungsverteilung = 1 im freien Feld

d = Entfernung in Meter

Serie Range Serie Reihe	Modello Model Modelle Modell	Sound Pressure (free field)						Sound Power (dBA)		
		at 1.8 meter (dBA)			at 5 meter (dBA)			ISO9614-1 grade 2		
		Te/Tc °C			Te/Tc °C			Te/Tc °C		
		+7 +50	-10 +45	-30 +40	+7 +50	-10 +45	-30 +40	+7 +50	-10 +45	-30 +40
K4	K 750 CS		61.4	63		52.4	54		77.4	79
	K 1000 CS	63.6	62.2	61.8	54.6	53.2	52.8	79.6	78.2	77.8
	K 750 CC	63.3	62.9	66.8	54.3	53.9	57.8	79.3	78.9	82.8
	K 1000 CC									
	K 1500 CC	65.6	65.9	66.2	56.6	56.9	57.2	81.6	81.9	82.2
KP	KP 750 CS		61.4	63		52.4	54		77.4	79
	KP 1000 CS	63.6	62.2	61.8	54.6	53.2	52.8	79.6	78.2	77.8
	KP 1000 CC	63.3	62.9	66.8	54.3	53.9	57.8	79.3	78.9	82.8
	KP 1500 CC									
	KP 1500 CS									
	KP 2000 CC									
K5	K 1500 CS	66.6	67.4	70.6	57.6	58.4	61.6	82.6	83.4	86.6
	K 2000 CC									
	K 1500 CB	64.6	65.8	68.4	55.6	56.8	59.4	80.6	81.8	84.4
	K 2500 CC									
	K 2500 CB									
K 3000 CC										
K6	K 3000 CS	66.8	66.7	67.6	57.8	57.7	58.6	82.8	82.7	83.6
	K 3500 CC									
	K 3000 CB									
	K 4000 CC									
	K 4500 CS									
K7	K 4700 CS	66.2	66.6	67.2	57.2	57.6	58.2	82.2	82.6	83.2
	K 5000 CC									
	K 5500 CC									
	K 5000 CS									
	K 6000 CC	67.6	67.6	68.2	58.6	58.6	59.2	83.6	83.6	84.2
	K 6000 CS									
K 7500 CC										

COMPRESSORI A DOPPIO STADIO

TWO-STAGE COMPRESSORS

COMPRESSEURS A DEUX ETAGES

ZWEISTUFIGE VERDICHTER

VANTAGGI

- Vasto campo di applicazione: $-25^{\circ}\text{C}/-50^{\circ}\text{C}$.
- Alta efficienza ad alti rapporti di compressione.
- Affidabilità grazie ad una temperatura di compressione controllata e a basse differenze di pressione.
- Semplicità di installazione.
- Semplicità di manutenzione: molte parti comuni con il compressore monostadio.

Gamma dei compressori

ADVANTAGES

- Wide application range: $-25^{\circ}\text{C}/-50^{\circ}\text{C}$.
- High efficiency with high compression ratios.
- Reliable thanks to controlled discharge temperature and low pressure differences.
- Easy to be installed.
- Easy to be serviced: plenty of common parts with well-known single-stage compressors parts.

Compressor range

AVANTAGES

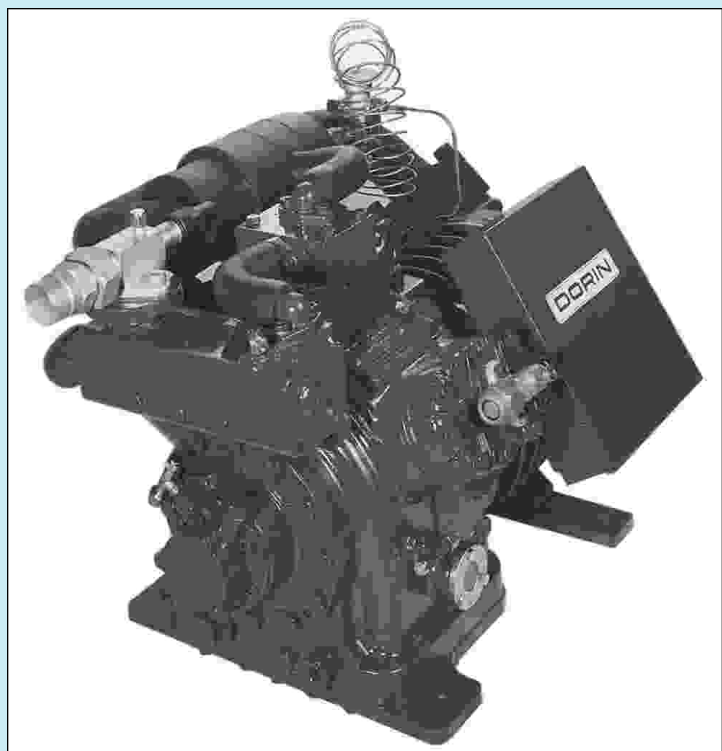
- Large champ d'application $-25^{\circ}\text{C}/-50^{\circ}\text{C}$
- Hauts rendement à des rapports de compression élevés
- Bonne fiabilité grâce à une température de fin de compression contrôlée et à une basse différence de pression
- Simplicité d'installation
- Simplicité de manutention: de nombreuses pièces communes avec le compresseur standard 1 étage

Gamme des compresseurs

VORTEILE

- breiter Einsatzbereich von $-25^{\circ}\text{C}/-50^{\circ}\text{C}$.
- hohe Effizienz mit hohen Druckverhältnissen.
- Zuverlässigkeit durch überwachte Druckrohrtemperatur und Niederdruck-differenzen.
- leichter Aufbau.
- leichter Service: Verwendung vieler Bauteile der bereits bekannten einstufigen Verdichter

Verdichter Baureihe



Modello Model Modele Modell	Volume spostato bassa/alta pressione Volume balayé haute/basse pression	Diplacement Low/High pressure Volumen Hoch-/Niederdruck	Numero cilindri bassa/alta pressione Numero des cylindres haute/baisse pression	Cylinder Nr. Low/High pressure Zylinderzahl Hoch-/Niederdruck
2S.1200	38,6+19,3	m ³ /h	4+2	
2S.1500	48,8+24,4	m ³ /h	4+2	
2S.2000	56+28	m ³ /h	4+2	
2S.2500	73,3+36,6	m ³ /h	4+2	
2S.3000	84,5+42,2	m ³ /h	4+2	
2S.3500	92+46	m ³ /h	4+2	

I compressori a due stadi sono già disponibili nella gamma dei compressori a 6 cilindri con potenza nominale da 15 a 35 cavalli.

La DORIN sta ora collaudando i compressori a 4 cilindri della gamma con potenza nominale da 5 a 15 cavalli.

Nei compressori a doppio stadio la pressione di scarico viene raggiunta in due stadi:

- alcuni cilindri (4 nei compressori a 6 cilindri - STADIO DI BASSA) aspirano dall'evaporatore e comprimono in un collettore a pressione intermedia dove, a mezzo di una iniezione di liquido si sottoraffreddano i vapori ad una temperatura prossima a quella di saturazione;
- gli altri cilindri (2 nei compressori a 6 cilindri - STADIO DI ALTA) aspirano da detto collettore alla pressione intermedia e scaricano alla pressione finale.

In tal modo si fraziona il rapporto di compressione totale in due stadi ottenendo così rapporti di compressione molto più bassi, con conseguente riduzione di energia assorbita e miglioramento del rendimento volumetrico e quindi della capacità totale; ma il fatto di maggiore importanza è il mantenimento delle temperature di scarico a valori sufficientemente bassi, tali da garantire un funzionamento dell'impianto senza problemi.

Oltre al raffreddamento dei vapori di scarico dello stadio di bassa, può essere utilizzato un sottoraffreddamento del liquido che, provenendo dal ricevitore, alimenta l'evaporatore. La temperatura finale del liquido sottoraffreddato può avvicinarsi molto a quella corrispondente alla pressione intermedia. Con questo sottoraffreddamento del liquido si ha un notevole incremento della capacità dell'impianto.

Les compresseurs à 2 étages sont disponibles à partir de la gamme des compresseurs 6 cylindres d'une puissance nominale de 15 à 35 CV.

Des essais sont en cours sur la gamme de compresseurs 4 cylindres d'une puissance nominale de 5 à 15 CV.

Dans les compresseurs à 2 étages, la pression de refoulement est atteinte en 2 étapes:

- quelques cylindres (4 dans les compresseurs 6 cylindres – ETAGE DU BAS) aspirent ainsi des gaz venant de l'évaporateur et compriment dans un collecteur sous pression intermédiaire où, par une injection de liquide, on refroidit les vapeurs à une température proche de celle de saturation.
- les autres cylindres (2 dans les compresseurs à 6 cylindres – ETAGE DU HAUT) aspirent à partir du collecteur énoncé ci-dessus à pression intermédiaire et refoulent à la pression finale.

De cette façon, on fractionne le rapport de compression total en 2 étages en obtenant ainsi des rapports de compression beaucoup plus bas ce qui a pour avantage la réduction d'énergie absorbée et l'amélioration du rendement volumétrique, et donc, de la capacité totale. Mais ce qui est le plus important est le maintien des températures de refoulement à des valeurs suffisamment basses, pour pouvoir garantir un fonctionnement de l'installation sans problèmes.

Oltre le refroidissement des vapeurs de refoulement de l'étage du bas, on peut augmenter le sous refroidissement du liquide qui, en provenant du réservoir, alimente l'évaporateur. La température finale du liquide sous refroidi peut alors avoisiner celle de la pression intermédiaire. Ce sous refroidissement du liquide implique une augmentation notable de la capacité de l'installation.

Two stage compressors are already available in the range 15 to 35 Hp nominal input, 6 cylinder compressors.

Dorin is now intensively testing 4 cylinder compressors in the range 5 to 15 Hp nominal input.

Discharge pressure in two-stage compressors is achieved in two steps:

- some of the cylinder (4 in 6-cylinder compressors) take gas from the evaporator and pump it into an intermediate pressure manifold where it is cooled by liquid injection to a temperature close to that of saturation;
- the other cylinders (2 in 6-cylinder compressors) take the gas from the said manifold and compress it to final pressure.

In this way, the total pressure-ratio is divided in two steps with much lower compression ratios.

This involves less power absorbed and better efficiencies; however the most important achievement is the much lower final compression temperature obtained in this way which guarantees a trouble-free operation of the compressor.

Besides desuperheating of intermediate pressure discharge vapor by liquid injection it is possible to subcool the liquid, that from the receiver reaches the evaporator.

The final temperature of the subcooler liquid cold get very close to the saturation temperature corresponding to the intermediate pressure.

With this liquid subcooling it is possible to significantly increase the system capacity.

Die Zweistufigen Verdichter sind bereits für den Bereich von 15 bis 35 Hp Nennleistung als 6 Zylinder-Verdichter zur Verfügung.

Dorin testet zur Zeit intensiv 4 Zylinder-Verdichter im Bereich von 5 bis 15 Hp Nennleistung.

Der Förderdruck in zweistufigen Verdichtern wird in zwei Schritten erzielt:

- einige der Zylinder (4 von 6 Zylindern) pumpen einen Teil des Gases vom Verdampfer in ein Zwischendruckverteilersystem, wo es durch Flüssigeinspritzung auf eine Temperatur nahe der Sättigung abgekühlt wird
- die anderen Zylinder (2 von 6 Zylindern) entnehmen das Gas aus dem erwähnten Verteilersystem und verdichten es zum Enddruck.

Auf diesem Weg wird das gesamte Druckverhältnis in zwei Schritten mit weit geringeren Verdichtungsverhältnissen aufgeteilt. Die schließt weniger Energieverluste und eine bessere Effizienz mit ein, der wichtigste Erfolg der auf diesem Weg erzielt wird ist jedoch die sehr viel niedrigere Endverdichtungstemperatur die einen störungsfreien Betrieb des Verdichters sicherstellt.

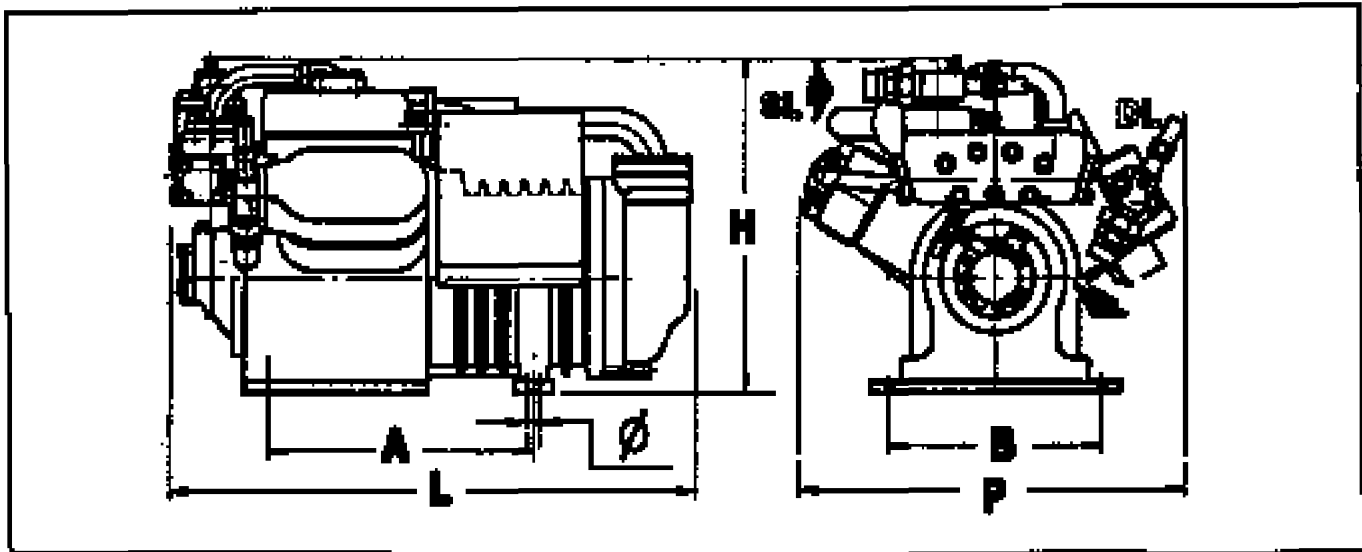
Neben der Kühlung des Heißdampfes im Zwischendruckfördersystem durch Flüssigeinspritzung ist es möglich die vom Empfänger in Richtung Verdampfer strömende Flüssigkeit zu unterkühlen.

Die Endtemperatur der Nachkühlerflüssigkeit kann sehr nahe an die Sättigungstemperatur die mit der des Zwischendruckes übereinstimmt angepaßt werden.

Mit dieser Flüssigunterkühlung ist es möglich eine erhebliche Verbesserung der Systemkapazität zu erreichen.

COMPRESSORI A DOPPIO STADIO COMPRESSEURS À DOUBLE ÉTAGE

TWO-STAGE COMPRESSORS ZWEISTUFIGE VERDICHTER

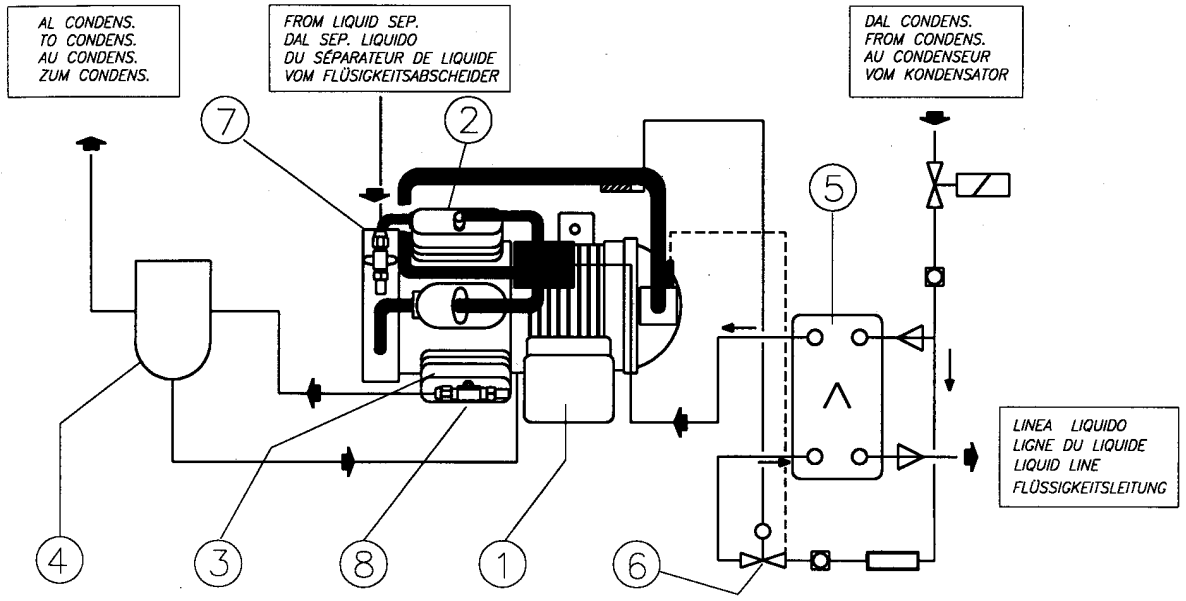


Modello Modell Modell	Cilindr. Cylindr. Zylinder	Alleg. Bohr. Bohrung	Corse Stroke Hub	n ^o /h	R.L. Ass. R.L. Val. Val. Ass. Doppio	R.L. Sc. D.L. Val. Val. Ref. Doppio	Peso Netto Net weight Folio ref. Mittigew. Kg.	DIMENSIONI DIMENSIONS ABMESSUNGEN mm.					
								L	P	H	A	B	Ø
2S.1200	4 + 2	ø71	25	25.5 + 16.3	35%	22%	162	580	520	485	305	320	10.5
2S.1500	4 + 2	ø71	45	45.5 + 24.4	35%	22%	162	650	620	455	326	330	10.5
2S.2000	4 + 2	ø71	55	55 + 25	35%	22%	170	650	620	485	325	320	10.5
2S.2500	4 + 2	ø75	45	75.5 + 26.8	42%	25%	228	755	680	475	340	305	10.5
2S.3000	4 + 2	ø75	55	84.5 + 42.2	42%	25%	237	755	680	475	340	305	10.5
2S.3500	4 + 2	ø75	80	92 + 49	42%	25%	244	755	680	475	340	305	10.5

Modello Modell Modell	STD. SUPPLY *	FLA AMP	LRA AMP	ACCESSORI - ACCESSOIRES ACCESSOIRES - ZUBEHÖRTEILE	
				C.P.M.	D.P.S. SENSOR
2S.1200	400/3/50 PWS	34	147	●	○
2S.1500	400/3/50 PWS	45	172	●	○
2S.2000	400/3/50 PWS	55	190	●	○
2S.2500	400/3/50 PWS	55	180	●	○
2S.3000	400/3/50 PWS	65	190	●	○
2S.3500	400/3/50 PWS	84	323	●	○

C.P.M.	Modulo protezione compressore - Compressor protection module - Module de protection du compresseur - Kompressor schutzmodul
DPS	Sensore pressostato differenziale - Oil differential pressure sensor - Capteur de pression différentielle d'huile - Öl drucksensor
○	Tensioni di normale fornitura - Standard supply - Tension standard - Spannungen für standard Auslieferung
○	Su richiesta - Optional - Sur demande - Auf Wunsch
*	Altre tensioni e/o frequenze su richiesta - Other supply and/or frequencies on request Tensions et/ou fréquences différentes sur demande - Andere spannungen und/oder frequenzen zur verfügung

SCHEMA DI IMPIANTO CON SOTTORAFFREDDATORE DI LIQUIDO
SYSTEM WITH LIQUID SUBCOOLER
INSTALLATION AVEC SOUS-REFROIDISSEUR DE LIQUIDE
ANLAGE MIT FLÜSSIGKEITSUNTERKÜHLUNG



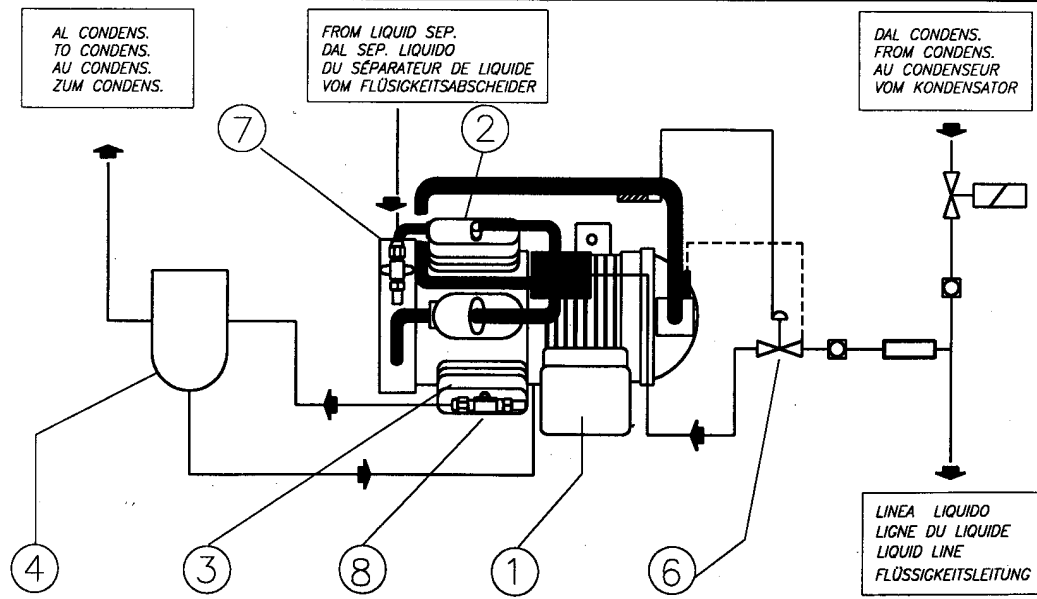
- 1 MOTOCOMPRESSORE
- 2 CIL. BASSA PRESSIONE
- 3 CIL. ALTA PRESSIONE
- 4 SEPARATORE OLIO
- 5 SOTTORAFFREDDATORE LIQUIDO
- 6 VALVOLA DI ESPANSIONE
- 7 RUBINETTO ASPIRAZIONE COMPR.
- 8 RUBINETTO MANDATA COMPR.

- MOTOR-COMPRESSOR
- LOW PRESSURE CYLINDERS
- HIGH PRESSURE CYLINDERS
- OIL SEPARATOR
- LIQUID SUBCOOLER
- EXPANSION VALVE
- SUCTION GAS VALVE
- DISCHARGE GAS VALVE

- MOTOCOMPRESSEUR
- ETAGE BASSE PRESSION
- ETAGE HAUTE PRESSION
- SÉPARATEUR D' HUILE
- SOUS-REFROIDISSEUR DE LIQUID
- DETENDEUR THERMOSTATIQUE
- VANNE ASPIRATION
- VANNE REFOULEMENT

- MOTORKOMPRESSOREN
- NIEDERDRUCKZYLINDER
- HOCHDRUCKZYLINDER
- ÖLABSCHEIDER
- FLÜSSIGKEITSUNTERKÜHLER
- EXPANSIONSVENTIL
- SAUGVENTIL
- DRUCKVENTIL

SCHEMA DI IMPIANTO SENZA SOTTORAFFREDDATORE DI LIQUIDO
SYSTEM WITHOUT LIQUID SUBCOOLER
INSTALLATION SANS SOUS-REFROIDISSEUR DE LIQUIDE
ANLAGE OHNE FLÜSSIGKEITSUNTERKÜHLUNG



- 1 MOTOCOMPRESSORE
- 2 CIL. BASSA PRESSIONE
- 3 CIL. ALTA PRESSIONE
- 4 SEPARATORE OLIO
- 5 SOTTORAFFREDDATORE LIQUIDO
- 6 VALVOLA DI ESPANSIONE
- 7 RUBINETTO ASPIRAZIONE COMPR.
- 8 RUBINETTO MANDATA COMPR.

- MOTOR-COMPRESSOR
- LOW PRESSURE CYLINDERS
- HIGH PRESSURE CYLINDERS
- OIL SEPARATOR
- LIQUID SUBCOOLER
- EXPANSION VALVE
- SUCTION GAS VALVE
- DISCHARGE GAS VALVE

- MOTOCOMPRESSEUR
- ETAGE BASSE PRESSION
- ETAGE HAUTE PRESSION
- SÉPARATEUR D' HUILE
- SOUS-REFROIDISSEUR DE LIQUID
- DETENDEUR THERMOSTATIQUE
- VANNE ASPIRATION
- VANNE REFOULEMENT

- MOTORKOMPRESSOREN
- NIEDERDRUCKZYLINDER
- HOCHDRUCKZYLINDER
- ÖLABSCHEIDER
- FLÜSSIGKEITSUNTERKÜHLER
- EXPANSIONSVENTIL
- SAUGVENTIL
- DRUCKVENTIL

**SENZA SOTTORAFFREDDATORE DI LIQUIDO
SANS REFROIDISSEUR DE LIQUIDE**

R22

**WITHOUT LIQUID SUBCOOLER
OHNE FLÜSSIGKEITSUNTERKÜHLER**

MODELLO MODEL MODELE MODELL	Te Tc	Capacità frigorifera - Watt Puissance frigorifique - Watt						Cooling capacity - Watt Kälteleistung - Watt						Potenza assorbita - Watt Puissance absorbée - Watt			Power input - Watt Leistungsaufnahme - Watt																																													
		-25°	-30°	-35°	-40°	-45°	-50°	-25°	-30°	-35°	-40°	-45°	-50°	-25°	-30°	-35°	-40°	-45°	-50°																																											
		2S.1200	+35°	14050	11330	8990	6980	5250	3740	7340	6790	6190	5520	4770	3950	+40°	13480	10870	8620	6680	5000	3490	7880	7290	6590	5830	4970	4010	+45°	12890	10420	8250	6370	4730	8440	7770	7003	6130	5130	+50°	12340	9950	7900	6090	9550	8780	7830	6430	+55°	11740	9490	7550										
2S.1500	+35°	17560	14150	11230	8720	6560	4670	9170	8490	7750	6910	5960	4930	+40°	16840	13590	10770	8350	6240	4360	9860	9100	8240	7290	6200	5010	+45°	16120	13009	10310	7970	5910	10550	9710	8760	7660	6410	+50°	15410	12430	8810	7610	11230	10330	9271	8030	+55°	14670	11850	9430												
2S.2000	+35°	20100	16200	12860	9980	7510	5350	9920	9650	8800	7850	6780	5610	+40°	19280	15560	12330	9550	7130	4990	11200	10340	9380	8280	7060	5690	+45°	18450	14890	11800	9120	6770	11990	10660	9950	8700	7290	+50°	17640	14230	11280	8710	12780	11750	10540	9130	+55°	16790	13580	10780												
2S.2500	+35°	26550	21360	16960	13170	9900	7060	13840	12830	11700	10420	9010	7440	+40°	25460	20510	16260	12600	9420	6580	14890	13740	12440	11004	9370	8890	+45°	24380	19640	15570	12030	8920	15940	14660	13220	11570	9680	+50°	23290	18770	14890	11500	16980	15600	14010	12130	+55°	22140	17900	14230												
2S.3000	+35°	30460	24530	19470	15120	11370	8090	15900	14720	13420	11960	10340	8550	+40°	29210	23541	18680	14470	10810	7560	17090	15770	14300	12630	10760	8670	+45°	27960	22550	17880	13820	10260	18290	16830	15170	13280	11110	+50°	26710	21570	17100	13200	19490	17910	16070	13920	+55°	25420	20550	16340												
2S.3500	+35°	33170	26690	21170	16440	12370	8810	17330	15990	14640	13050	11290	9320	+40°	31800	25610	20320	15730	11760	8220	18640	17210	15590	13780	11740	9470	+45°	30430	24520	19470	15040	11150	19970	18360	16560	14490	12120	+50°	29050	23440	18580	14360	21280	19530	17530	15180	+55°	27690	22340	17780												

**CON SOTTORAFFREDDATORE DI LIQUIDO
AVEC REFROIDISSEUR DE LIQUIDE**

R22

**WITH LIQUID SUBCOOLER
MIT FLÜSSIGKEITSUNTERKÜHLER**

2S.1200	+35°	16280	13440	10950	8740	6760	4960	8610	7830	7040	6260	5500	4730	+40°	16090	13280	10840	8620	6610	4770	9140	8300	7460	6610	5770	4930	+45°	15900	13160	10710	8500	6490	9690	8780	7860	6950	6030	+50°	15710	13000	10580	8400	10210	9240	8250	7270	+55°	15490	12840	10490																	
2S.1500	+35°	20350	16800	13680	10910	8440	6190	10760	9790	8810	7820	6880	5920	+40°	20110	16600	13530	10770	8260	5950	11430	10380	9330	8270	7220	6170	+45°	19870	16440	13380	10630	8110	12110	10970	9830	8690	7540	+50°	19630	16240	13220	10500	12770	11550	10320	9080	+55°	19350	16040	13104																	
2S.2000	+35°	23290	19220	15650	12480	9660	7090	12230	11120	10020	8910	7810	6730	+40°	23020	19005	15500	12330	9460	6810	13000	11800	10600	9410	8210	7010	+45°	22740	18820	15310	12160	9280	13750	12470	11170	9880	8570	+50°	22470	18580	15140	12020	14510	13120	11740	10320	+55°	22150	18360	15000																	
2S.2500	+35°	30660	25370	20640	16470	12750	9340	16240	14780	13300	11830	10370	8930	+40°	30340	25100	20420	16250	12480	8990	17270	15680	14080	12490	10900	9310	+45°	29990	24840	20200	16040	12230	18280	16570	14850	13110	11380	+50°	29620	24530	19970	15850	19280	17440	15590	13720	+55°	29210	24220	19780																	
2S.3000	+35°	35240	29110	23700	18920	14630	10730	18660	16970	15280	13590	11910	10260	+40°	34820	28790	23440	18670	14330	10320	19820	18010	16170	14340	12520	10670	+45°	34410	28490	23180	18420	14050	20990	19030	17050	15070	13060	+50°	33990	28170	22920	18210	22110	20010	17890	15750	+55°	33580	27800	22710																	
2S.3500	+35°	38310	31660	25800	20600	15920	11660	20360	18500	16670	14830	13000	11190	+40°	37890	31320	25510	20320	15590	11220	21630	19620	17650	15650	13660	11680	+45°	37460	31000	25230	20030	15280	22900	20750	18590	16430	14260	+50°	36990	30620	24950	19790	24170	21830	19530	17190	+55°	36520	30240	24710																	

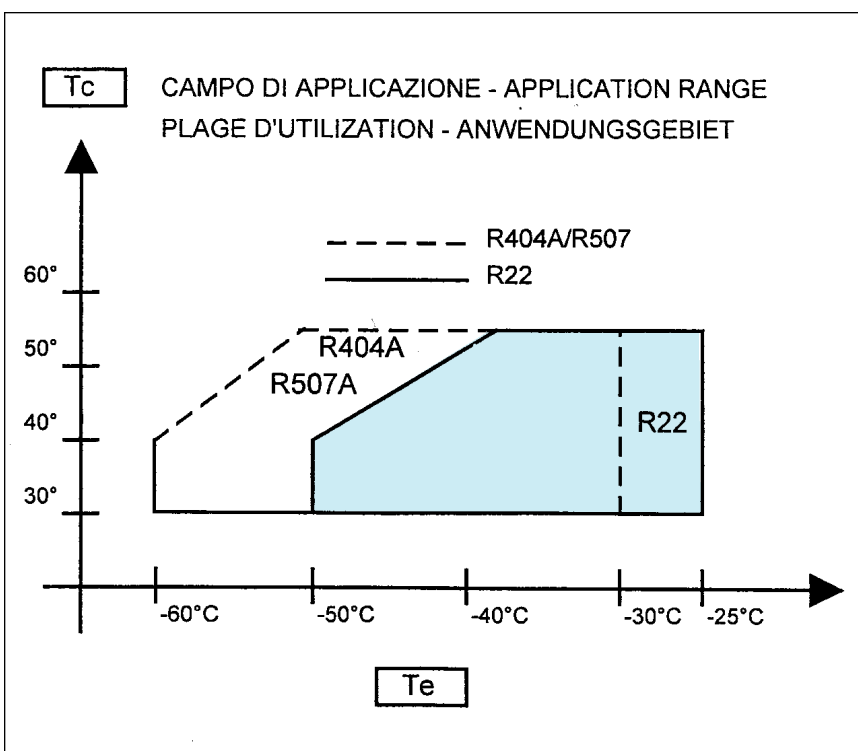


CON SOTTORAFFREDDATORE DI LIQUIDO
AVEC REFRIGERISSEUR DE LIQUIDE

R404A/R507

WITH LIQUID SUBCOOLER
MIT FLÜSSIGKEITSUNTERKÜHLER

MODELLO MODEL MODELE MODELL	Tc	Capacità frigorifera - Watt Puissance frigorifique - Watt							Cooling capacity - Watt Kälteleistung - Watt							Potenza assorbita - Watt Puissance absorbée - Watt						Power input - Watt Leistungsaufnahme - Watt							
		-30°		-35°		-40°		-45°		-50°		-55°		-60°		-30°		-35°		-40°		-45°		-50°		-55°		-60°	
		-30°		-35°		-40°		-45°		-50°		-55°		-60°		-30°		-35°		-40°		-45°		-50°		-55°		-60°	
2S1200	+35°	15075	12810	10700	8760	7080	5580	4330	9100	8270	7440	6650	5910	5190	4510	9100	8270	7440	6650	5910	5190	4510	9100	8270	7440	6650	5910	5190	4510
	+40°	14755	12550	10450	8565	6890	5470	4235	9645	8745	7880	7040	6240	5840	4735	9645	8745	7880	7040	6240	5840	4735	9645	8745	7880	7040	6240	5840	4735
	+45°	14440	12240	10265	8355	6800	5390		10200	9245	8315	7420	6575	5770		10200	9245	8315	7420	6575	5770		10200	9245	8315	7420	6575	5770	
	+50°	14120	11975	10050	8195	6680	5280		10715	9710	8730	7790	6890	6030		10715	9710	8730	7790	6890	6030		10715	9710	8730	7790	6890	6030	
	+55°	13840	11710	9840	8040	6550			11220	10170	9150	8155	7200			11220	10170	9150	8155	7200			11220	10170	9150	8155	7200		
2S1500	+35°	18845	16015	13375	10945	8840	6965	5400	11375	10330	9310	8325	7380	6495	5650	11375	10330	9310	8325	7380	6495	5650	11375	10330	9310	8325	7380	6495	5650
	+40°	18440	15685	13065	10690	8615	6840	5285	12060	10940	9850	8810	7805	6860	5920	12060	10940	9850	8810	7805	6860	5920	12060	10940	9850	8810	7805	6860	5920
	+45°	18040	15300	12820	10435	8505	6730		12750	11550	10390	9280	8220	7215		12750	11550	10390	9280	8220	7215		12750	11550	10390	9280	8220	7215	
	+50°	17645	14965	12555	10240	8350	6600		13390	12130	10910	9740	8615	7540		13390	12130	10910	9740	8615	7540		13390	12130	10910	9740	8615	7540	
	+55°	17290	14635	12290	10045	8190			14020	12710	11430	10200	9000			14020	12710	11430	10200	9000			14020	12710	11430	10200	9000		
2S2000	+35°	21570	18330	15300	12520	10110	7970	6190	12930	11740	10565	9470	8410	7370	6420	12930	11740	10565	9470	8410	7370	6420	12930	11740	10565	9470	8410	7370	6420
	+40°	21110	17960	14960	12245	9865	7835	6050	13715	12440	11200	10000	8880	7800	6730	13715	12440	11200	10000	8880	7800	6730	13715	12440	11200	10000	8880	7800	6730
	+45°	20650	17510	14680	11940	9730	7700		14480	13120	11810	10545	9345	8200		14480	13120	11810	10545	9345	8200		14480	13120	11810	10545	9345	8200	
	+50°	20190	17125	14370	11715	9550	7550		15200	13770	12400	11070	9795	8570		15200	13770	12400	11070	9795	8570		15200	13770	12400	11070	9795	8570	
	+55°	19790	16750	14070	11490	9370			15920	14435	12995	11590	10235			15920	14435	12995	11590	10235			15920	14435	12995	11590	10235		
2S2500	+35°	28390	24130	20195	16510	13340	10520	8155	17165	15590	14040	12570	11170	9790	8520	17165	15590	14040	12570	11170	9790	8520	17165	15590	14040	12570	11170	9790	8520
	+40°	27820	23665	19755	16130	13000	10335	7985	18220	16530	14880	13290	11790	10335	8940	18220	16530	14880	13290	11790	10335	8940	18220	16530	14880	13290	11790	10335	8940
	+45°	27230	23090	19375	15755	12830	10150		19250	17440	15690	14020	12400	10890		19250	17440	15690	14020	12400	10890		19250	17440	15690	14020	12400	10890	
	+50°	26630	22585	18970	15460	12600	9950		20210	18310	16475	14720	13000	11380		20210	18310	16475	14720	13000	11380		20210	18310	16475	14720	13000	11380	
	+55°	26100	22090	18570	15165	12360			21160	19190	17265	15410	13580			21160	19190	17265	15410	13580			21160	19190	17265	15410	13580		
2S3000	+35°	32630	27735	23170	18960	15325	12070	9370	19725	17915	16120	14440	12830	11240	9790	19725	17915	16120	14440	12830	11240	9790	19725	17915	16120	14440	12830	11240	9790
	+40°	31930	27160	22660	18520	14935	11865	9165	20910	18970	17090	15265	13540	11895	10245	20910	18970	17090	15265	13540	11895	10245	20910	18970	17090	15265	13540	11895	10245
	+45°	31245	26495	22220	18080	14735	11660		22100	20020	18020	16095	14255	12500		22100	20020	18020	16095	14255	12500		22100	20020	18020	16095	14255	12500	
	+50°	30560	25910	21755	17735	14470	11430		23210	21025	18920	16900	14940	13060		23210	21025	18920	16900	14940	13060		23210	21025	18920	16900	14940	13060	
	+55°	29945	25345	21300	17400	14195			24300	22035	19830	17695	15615			24300	22035	19830	17695	15615			24300	22035	19830	17695	15615		
2S3500	+35°	35475	30150	25200	20640	16685	13135	10180	21520	19545	17575	15750	14000	12270	10675	21520	19545	17575	15750	14000	12270	10675	21520	19545	17575	15750	14000	12270	10675
	+40°	34745	29555	24650	20155	16255	12910	9965	22820	20700	18620	16660	14775	12975	11210	22820	20700	18620	16660	14775	12975	11210	22820	20700	18620	16660	14775	12975	11210
	+45°	34015	28845	24180	19680	16025	12682		24115	21850	19650	17550	15540	13650		24115	21850	19650	17550	15540	13650		24115	21850	19650	17550	15540	13650	
	+50°	33265	28210	23670	19305	15735	12430		25320	22940	20635	18425	16290	14260		25320	22940	20635	18425	16290	14260		25320	22940	20635	18425	16290	14260	
	+55°	32600	27590	23175	18940	15435			26510	24040	21620	19290	17020			26510	24040	21620	19290	17020			26510	24040	21620	19290	17020		



Temp. gas aspirato
Suction gas temperature
Temp. de gas aspiré
Sauggastemperatur

+ 25°C

Tc = Temp. Condens. - Condensing Temp.
- Temp. de Condesation - Kondensationstemp C
Te = Temperature Evapor - Evaporating temper
- Tem. evapor - Verdampfungstemp C

R404A
R507

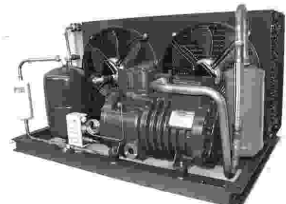




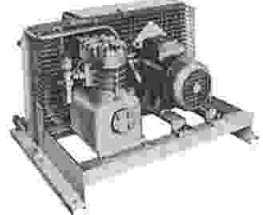
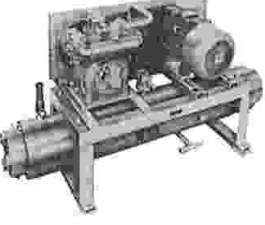
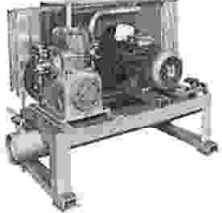
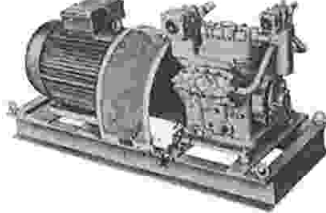

UTILIZZARE SOLO P.O.E.
USE P.O.E. ONLY
UTILISER SEULEMENT P.O.E.
NUR P.O.E. ÖLE VERWENDEN

Altri Prodotti

Other Products

Autres Produits

Andere Erzeugnisse

UA 	UR 	V 
UF 	CA 	A 
H 	SC 	D 
	T 	

UA Gruppi frigoriferi tipo semiermetico con condensazione ad aria
Air cooled semi-hermetic condensing units
Groupes frigorifiques type semi-hermetique à condensation à air
Halbhermetische wassergekühlte Aggregate

UF Gruppi frigoriferi tipo semiermetico con condensazione a fascio tubiero
Water cooled semi-hermetic condensing units with shell and tube condenser
Groupes frigorifiques type semi-hermetique avec condensation à faisceau tubulaire
Halbhermetische Rohrbündiegeköhlte Aggregate

H Gruppi frigoriferi tipo aperto con condensatore ad acqua a fascio tubiero
Open type condensing units with shell and tube water condenser
Groupes frigorifiques ouverts avec condenseur a eau à faisceau tubolaire
Offene rohrrundelwassergekühlte aggregate

UR Gruppi semiermetici per uso con condensatore remoto
Receiver sets for remote condenser
Groupes semi-hermetiques pour condenseur séparé
Halbhermetische Aggregate mit getrenntem Kondensator

CA Compressori tipo aperto
Open type compressors
Compresseurs type ouvert
Offene Kompressoren

SC Gruppi tipo aperto per uso con condensatore remoto
Open drive compressor/receiver sets for remote condenser
Groupes type ouvert pour utilisation avec condenseur séparé
Offene Verdichtersätze nut getrenntem Kondensator

T Compressori tipo aperto per trasporto
Open drive compressors for transport
Compresseurs type ouvert pour transport
Direkte offene Kuhlaggregate für Fahrzeuge

V Compressori a vite semiermetici
Semi-sealed screw compressors
Compresseurs semi-hermétiques à vis
Wassergekühlte halbhermetische Kompaktschrauben verdichter

A Gruppi frigoriferi tipo aperto con condensazione ad aria
Air cooled open condensing units
Groupes frigorifiques type ouvert à condensation à air
Offene kuhgeköhlte Aggregate

D Gruppi frigorifero tipo aperto diretto
Direct drive open compressors
Groupes frigorifiques type ouvert directs
Direkte offene Kuhlaggregate



GARANZIE

Le OFFICINE DORIN, che impiegano esclusivamente materiali delle migliori qualità e sono attrezzate per una perfetta lavorazione, s'impegnano a sostituire o riparare gratuitamente quelle parti che durante il normale funzionamento rivelsassero difetti nel materiale o nella lavorazione entro UNANNO dalla data della fattura. L'impegno di cui sopra è escluso ove i difetti di qualsiasi genere derivino da incidenti, manomissioni, inadeguato o cattivo uso o manutenzione.

Nessun risarcimento dei danni potrà comunque essere mai richiesto alle OFFICINE DORIN in relazione all'impegno come sopra assunto, che resta esclusivamente limitato alla sola riparazione o sostituzione di pezzi, entro un anno dalla data della fattura.

I Rappresentanti o Rivenditori non sono autorizzati ad impegnare le OFFICINE DORIN oltre i limiti dell'impegno suddetto. Le parti difettose dovranno essere consegnate franco nostra officina e saranno spedite franco destino. La bruciatura dell'avvolgimento dello statore rientra nella garanzia annuale purché la bruciatura dipenda da difetto di fabbricazione e non da difetto di alimentazione o di adeguata protezione.

Dall'impegno di cui sopra sono escluse le parti che non sono costruite dalle OFFICINE DORIN e cioè i motoventilatori, gli apparecchi di regolazione e di controllo, per i quali varranno naturalmente le specifiche garanzie offerte dalle Ditte costruttrici.



GARANTIES

L'OFFICINE MARIO DORIN, emploie exclusivement des matériaux de première qualité. L'équipement des unités de production permet un niveau de fabrication parfait.

L'OFFICINE MARIODORIN s'engage à remplacer ou à réparer gratuitement les pièces qui, au cours d'un fonctionnement normal, aurait présenté un vice de construction ou un défaut de matière; ceci pour une durée d'UNAN à partir de la date de facturation. Cette clause de garantie exclus tous défauts causés par des fausses manoeuvres, un mauvais usage, ou un entretien inadapté. De même, aucun dédommagement ne pourra être demandé à l'OFFICINE MARIO DORIN à propos de l'engagement pris ci-dessus, qui reste exclusivement limité à la réparation ou au remplacement des pièces, pendant un an à partir de la date de la facture.

Les Représentants ou revendeurs ne sont pas autorisés à engager l'OFFICINE MARIODORIN au-delà des limites des conditions citées ci-dessus. Le pièces défectueuses devront être envoyées franco à notre usine et les pièces de remplacement seront expédiées franco à destination. La détérioration des enroulements du stator est incluse dans la garantie quand celle-ci provient d'un défaut de fabrication et non pas d'un défaut d'alimentation ou de protection non appropriée.

L'engagement ci-dessus exclut les pièces et accessoires non fabriqués par l'OFFICINE MARIODORIN, c'est à dire, les motoventilateurs, les appareils de réglage et de contrôle. Bien entendu ces pièces peuvent faire l'objet de garanties spécifiques offertes par les fabricants.

Toute commande de matériel passé à l'OFFICINE MARIO DORIN, inclut automatiquement l'acceptation de ces clauses de garantie (sauf accord particulier).

WARRANTY

OFFICINE DORIN only use materials of the highest quality and a very high standard of workmanship in their production and will at their discretion replace or repair free of charge any parts which during normal usage prove to be faulty within 12 months from date of their invoice.

This warranty does not apply when the defect is due to: accidental damages, misuse, lack of maintenance or lack of appropriate protection.

Under no circumstances will DORIN entertain claims for consequential loss or damage to persons or property. No third party nor an agent is authorised to alter the terms of this warranty. Faulty materials are to be returned carriage paid to DORIN Florence.

Stator burn-outs included in above warranty when it is a consequence of a production defect and not a misconnection wrong voltage or misprotection.

Above commitment does not include components which are not DORIN production, such as fans, protection and control devices for which suppliers warranty only applies.

GARANTIEBEDINGUNGEN

Da die Firma DORIN ausschließlich beste Materialien bei sorgfältigster Verarbeitung verwendet, verpflichtet sie sich bis zu EINEMJAHR nach Rechnungsdatum für alle, bei ordentlichem Betrieb ausfallenden Teile, kostenlosen Ersatz bzw. Instandsetzung zu leisten.

Diese Garantiaverpflichtung erlischt bei Schädigung durch mangelhafte Installation, Bedienung und/oder Betrieb, sowie durch Unfälle verursacht werden. Folgeschäden und Nebenkosten werden von der Firm DORIN keinesfalls ersetzt. Die Garantie ist eine reine einjährige Materialgarantie wie oben beschrieben. Händler und Vertretungen sind zu keinen weiteren Zusagen über diese Materialgarantie der Firma DORIN hinaus, autorisiert.

Die fehlerhaften Teile sind frachtfrei dem Werk zuzusenden und frachtfrei werden die Austauschteile an den Bestimmungsort zurückgesandt. Durchgebrannte Statorwicklungen sind in der einjährigen Garantie eingeschlossen, wenn sie durch Fabrikationsmangel ausgefallen sind und nicht durch mangelhaften Motorschutz bzw. falsche Netzspannung.

Von obiger Verpflichtung sind alle nicht von der Firma DORIN hergestellten Teile ausgeschlossen (Vent. Motoren, Stell- und Kontrollgeräte), die auf Kundenwunsch beigestellt wurden. Für diese Teile gelten die Garantiebedingungen der jeweiligen Hersteller.

CARATTERISTICHE, CAPACITÀ E DIMENSIONI SONO SOGGETTE A VARIAZIONI SENZA PREAVVISO.

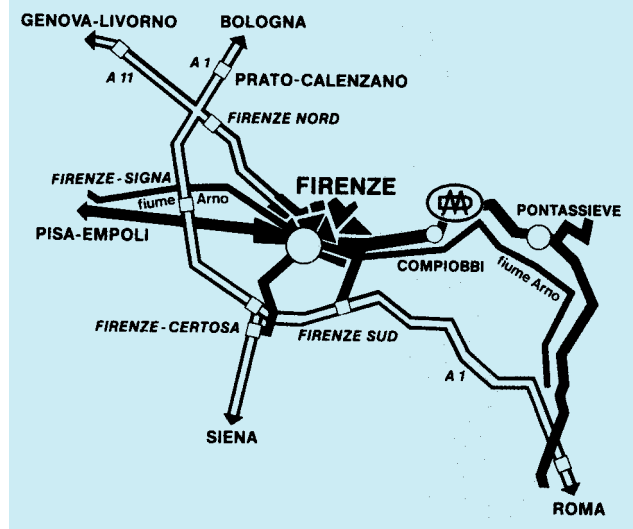
SPECIFICATION, CAPACITY AND DIMENSIONAL DATA SUBJECT TO CHANGE WITHOUT PREVIOUS NOTICE.

CARACTERISTIQUES, RENDEMENTS ET DIMENSIONS SONT SUJETS À DES MODIFICATION SANS AUCUN PRÉAVIS.

ÄNDERUNGEN DER DATEN, KAPAZITÄT UND ABMESSUNGEN OHNE VORANZEIGE VORBEHALTEN.

ONE OF FOUNDER MEMBERS OF

ASSOCIATION
OF EUROPEAN
REFRIGERATION
COMPRESSOR
MANUFACTURES



cat. N° 0404/CS